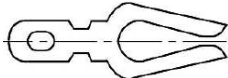


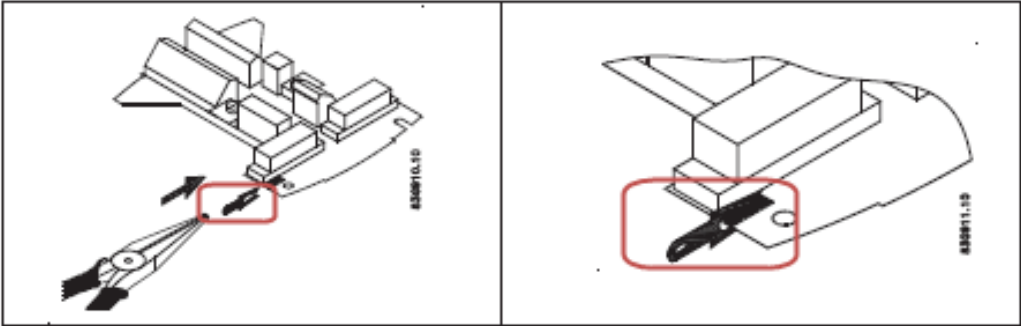
Changing the excitation frequency

A hardware key allows for setting of operating parameters, for example excitation frequency, that are blocked during normal operation. Siemens offers a hardware key, but you can also use a simple paper clip. The idea is to establish a connection between the front and the back sides of the PCB.

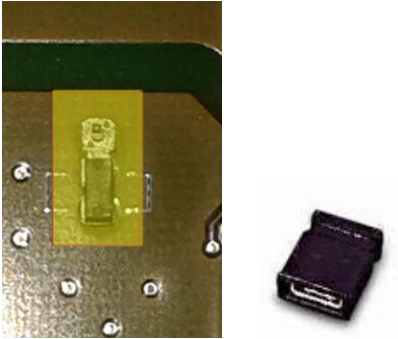
Siemens hardware key



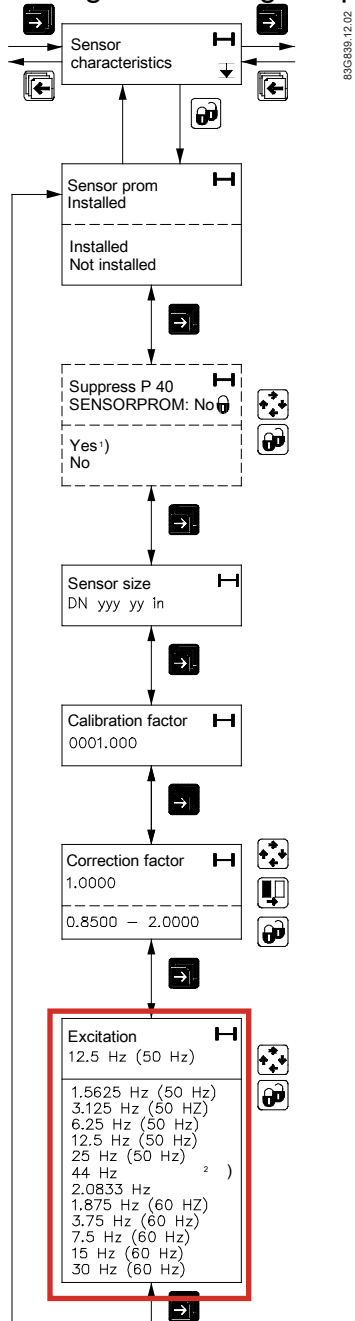
- 1. IP67: Mount hardware key on IP67 transmitter connection plate as shown.



19'': Use a jumper.



2. Change the settings required.



3. Remove hardware key / jumper to lock the menu structure and the selected settings.