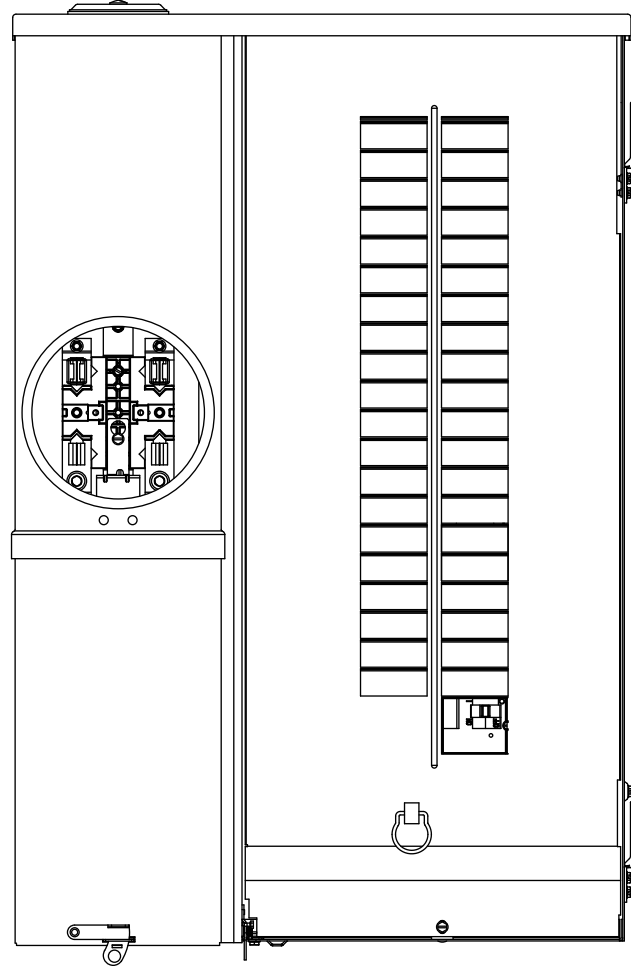


## Features and Ratings



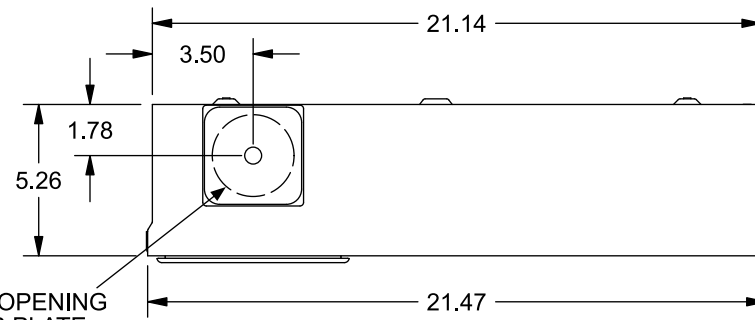
- Outdoor Enclosure (NEMA Type 3R)
- Ring Type Meter Cover (Ring Included)
- Meter Socket Rating: 200A Continuous
- Panelboard Rating: 200A Max; Bus rating: 225 Amps Max.
- 1 Phase, 3 Wire, 120/240V~
- 22,000 AIC Max. Rated (See Wiring Diagram for Details)
- 200A Main Breaker Factory Installed
- (40) 1" Spaces, (40) Circuits Max.
- Overhead or Underground Service Entrance
- RX Type Hub Provision on top, HC Hub Provision on bottom
- Surface Mounting
- Full-width Load Center

View Shown Without Door

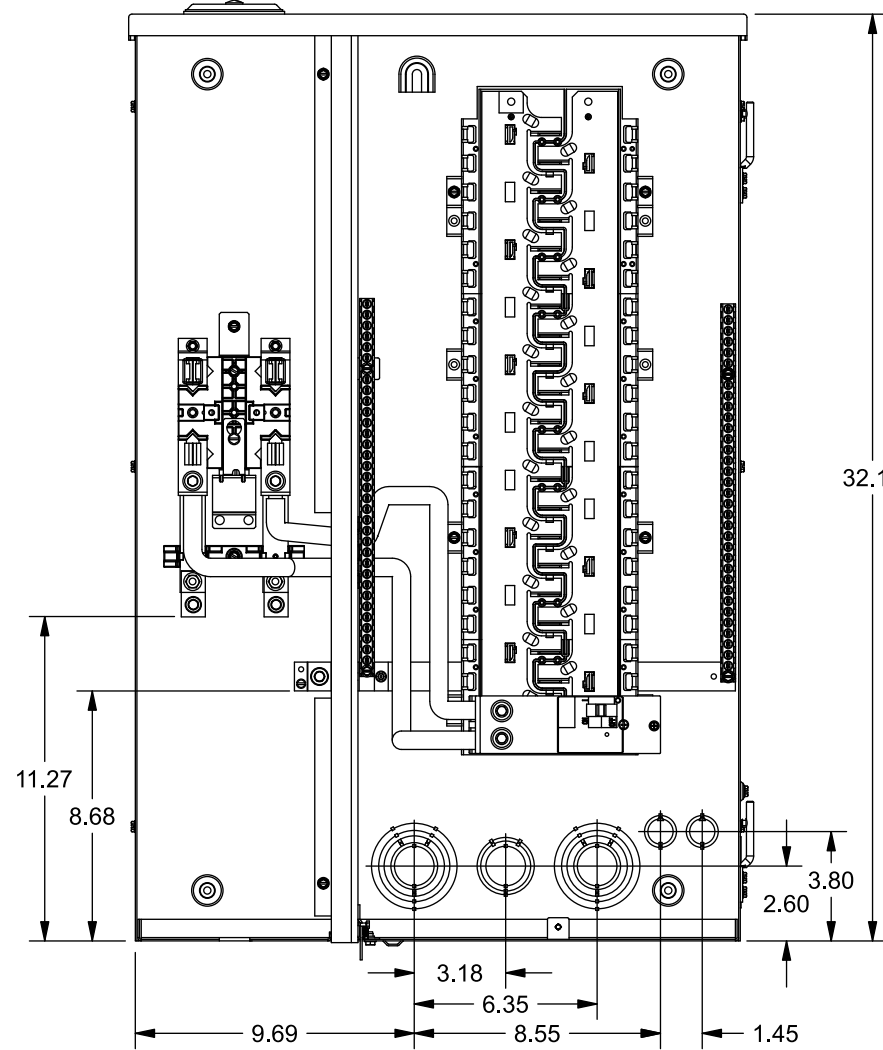


DESIGNATION	QTY	KNOCKOUT
A	11	1/2"
B	2	3/4", 1/2"
C	2	3/4", 1/2", 3/8"
D	1	1", 3/4", 1/2"
E	1	1-1/2", 1-1/4", 1"
F	3	2", 1-1/2", 1-1/4", 1", 3/4"
G	2	2-1/2", 2", 1-1/2", 1-1/4", 1"
H	1	3", 2-1/2", 2", 1-1/4", 1"

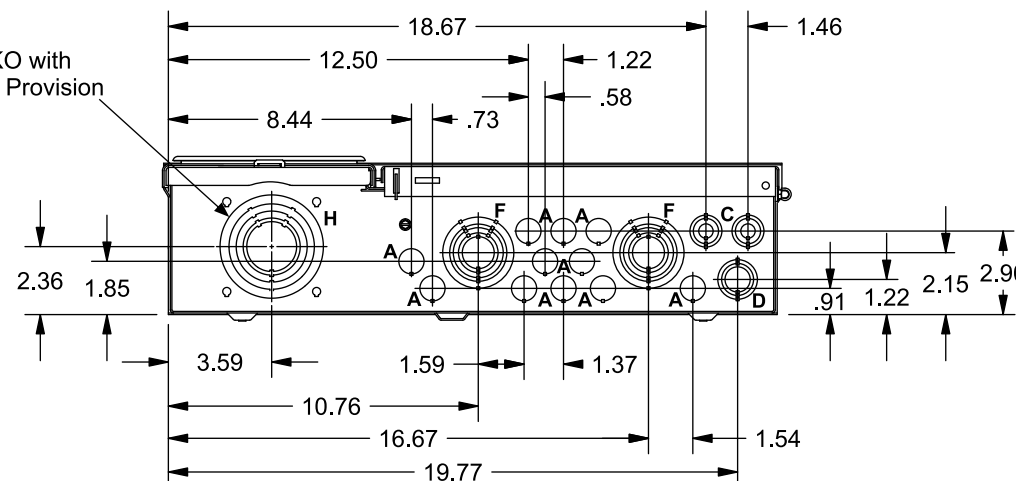
RX HUB OPENING  
COVER PLATE  
PROVIDED



View Shown Without Covers, Door, Deadfront



"H" KO with  
HC Hub Provision



## Accessories, Torques & Wire Sizes

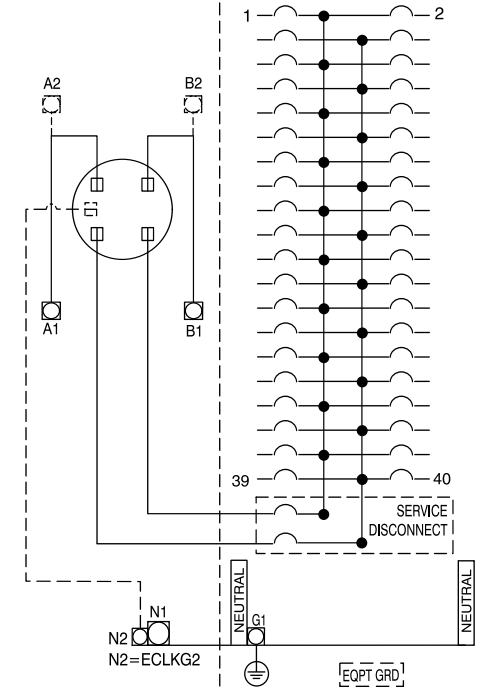
Trade size (in)	Catalog number
<b>RX Type Hub (top endwall)</b>	
1 1/4"	EC38597
1 1/2"	EC38598
2"	EC38599
2 1/2"	EC38600
RX Cover Plate	EC38595
<b>HC Type Hub (bottom endwall)</b>	
2"	ECHC200
2 1/2"	ECHC250
3"	ECHC300

**Accessories:**  
 Filler Plate - ECQF3  
 5" Jaw Assembly - EMC5J  
 Flush Rail Kit - FRK1  
 Meter Socket Jumper - ECJS  
 Ground Bar - "ECGB" series

**Lug Kits:**

Catalog #	Wire Range	Torque
ECLK1-2	2/0 - #2	45 lb in
ECLK2	2/0 - #4	135 lb in
ECLK3	300kcmil - #1	340 lb in

## Schematic



Terminal	Wire Size	Torque
A1, B1, A2, B2	250kcmil - #4	250 lb-in
N1	250kcmil - #6	275 lb-in
N2	#2 - #14	50 lb-in
G1	1/0 - #14	120 lb-in
Branch Breaker Terminals	See Markings on Breaker	
Neutral Bar	#10 - #14 CU #10 - #12 AL #8 #6	20 lb-in 20 lb-in 25 lb-in 35 lb-in
Ground Conductors Only	(2) or (3) #14 AWG (2) #12-#10 AWG	20 lb-in 20 lb-in

Any 80 Amp or above circuit breaker must be installed in the lowest position in the branch panel. All other positions are limited to 70 Amps max for breaker types listed above.

© 2019 Copyright Siemens Industry, Inc.

**SIEMENS**  
Siemens Industry, Inc.

## Meter Load Center Combination

Description:  
**200A, 40 Sp/40 Ckt, OH/UG, Surf Mount**

KAM 1/21/19 Fam K DO NOT SCALE DRAWING Dwg. No. **MC4040B1200SECW**