

FAQ Residual Current Monitoring 3UG4624:

Q:

Has the 3UG4624 residual current monitoring device to be equipped with an external test facility?

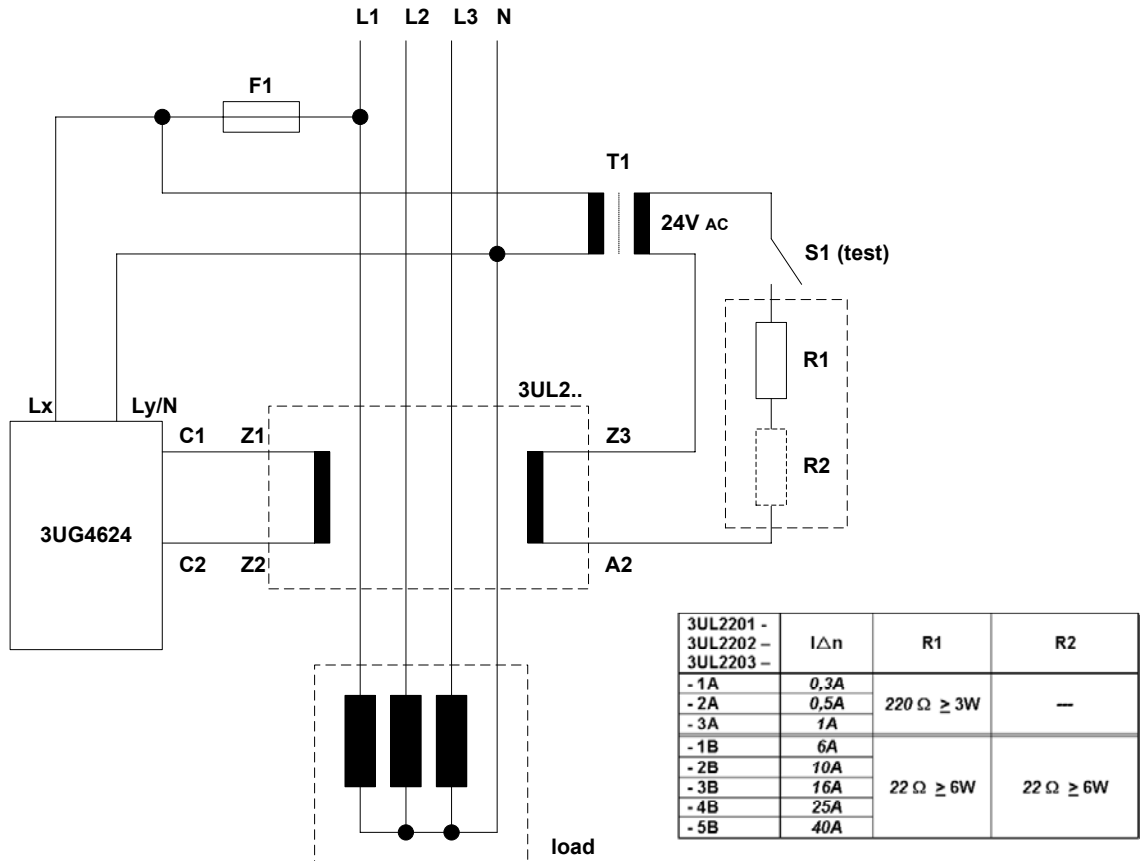
A:

The 3UG4624 residual current monitoring device does not have to be equipped with an external test facility as this device is designed as a monitoring relay only.

The corresponding standards for residual current protection devices which demand a test facility can not be applied to this kind of monitoring devices as their scope ends at an operating voltage of max. 440V. The max. nominal residual current for protection of persons is 30mA, for protection against fire 300mA, whereas the monitoring range of 3UG4624 residual current monitoring device is up to 40A.

Regardless of the normative situation it can however be reasonable to provide an external test facility for a monitoring device as well. A description how to plan and set up an external test facility can be found in the appendix.

Circuit diagram for test function



example for dimensioning of $I_{\Delta n} = 1A$ (3UL2201-3A)

T1: 4AM32 42 8EN00-0EA0 (SIEMENS)

S1: 3SB3 (SIEMENS)

R1: Vishay AC070002209JLB00 on mounting module (e.g. Lütze MPE-3-0620)

R2: n/a

F1: dimensioning of circuit protection dependent on cable cross-section area

example for dimensioning of $I_{\Delta n} = 16A$ (3UL2202-3B)

T1: 4AM32 42 8EN00-0EA0 (SIEMENS)

S1: 3SB3 (SIEMENS)

R1, R2: Vishay AC070002209JLB00 on mounting module (e.g. Lütze MPE-3-0620)

F1: dimensioning of circuit protection dependent on cable cross-section area