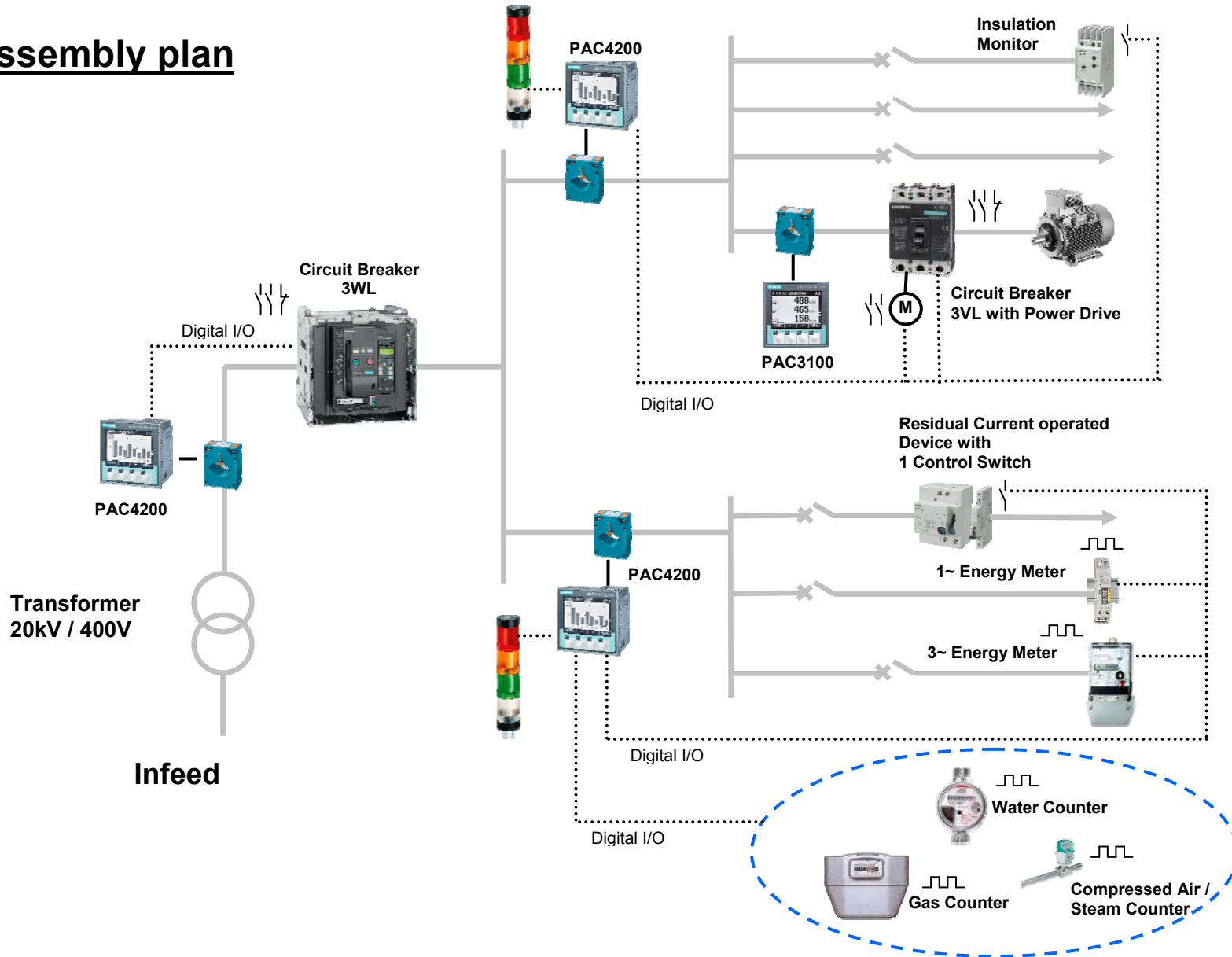
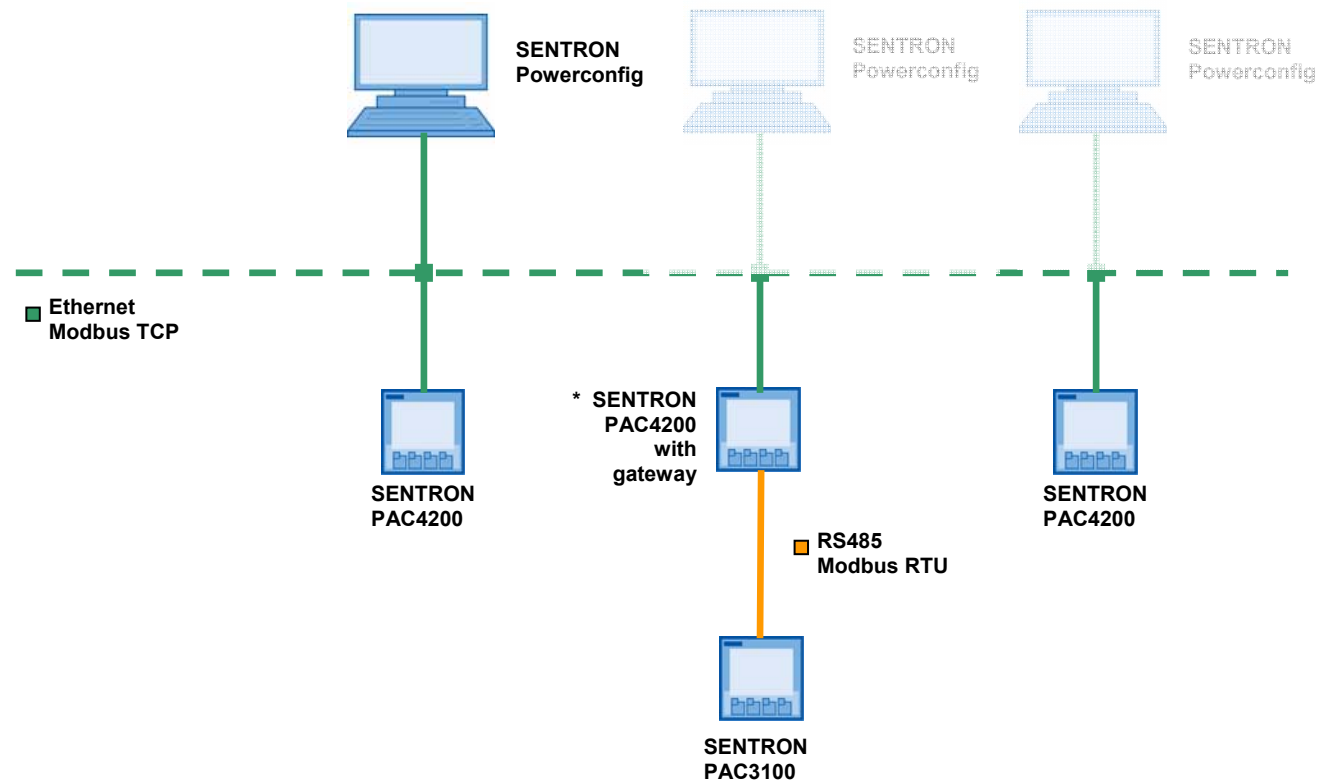


# Assembly plan



# Communication-topology



\* The gateway function is a standard function of SENTRON PAC4200