


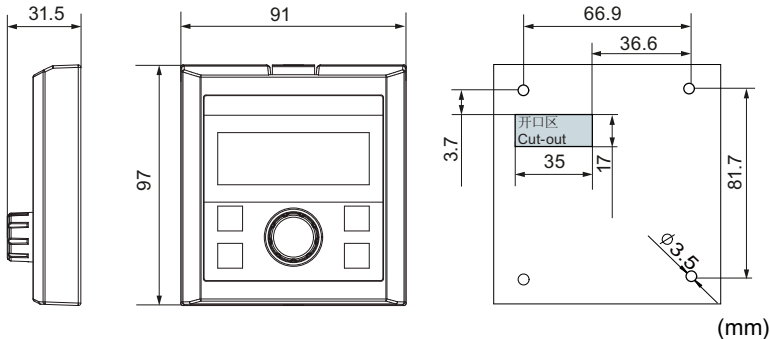
SINAMICS V20 变频器外接 BOP (基本操作面板) (选件)

SINAMICS V20 Inverter – External BOP (Basic Operator Panel) (option)

	<p>外接 BOP 用于实现变频器的远程操作控制。当安装在适当的电柜壁上时，外接 BOP 可达到 UL 1 类防护等级。</p> <p>产品组成 (订货号: 6SL3255-0VA00-4BA0) :</p> <ul style="list-style-type: none"> • 外部操作面板 • M3 组合螺钉 (x 4) <p>The external BOP is used for remote control of the inverter operation. When mounted on a suitable cabinet door, the external BOP can achieve a UL Type 1 enclosure rating.</p> <p>Components (order number: 6SL3255-0VA00-4BA0):</p> <ul style="list-style-type: none"> • External BOP • 4 x M3 screws
---	--

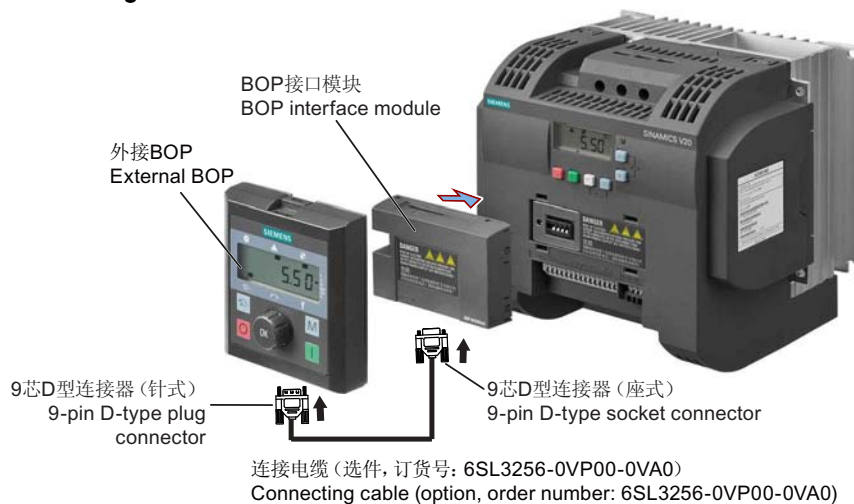
外接 BOP 安装尺寸

Mounting dimensions of the external BOP

	<p>固定方法: 4 x M3 组合螺钉 (螺钉长度: 12 ... 18 mm) 紧固扭矩: 0.8 Nm</p> <p>Fixings: 4 x M3 screws (length: 12 ... 18 mm) Tightening torque: 0.8 Nm</p>
---	---

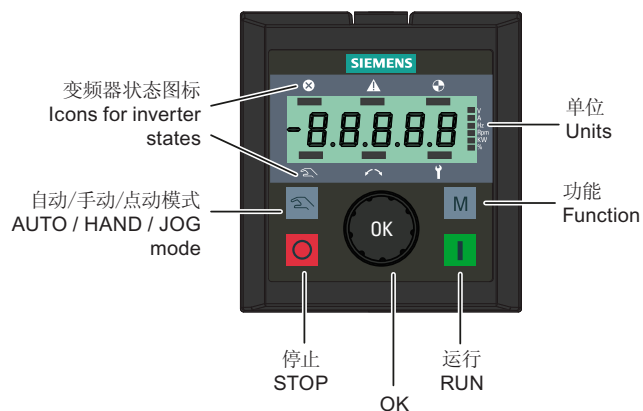
接线

Connecting



面板布局

Panel layout



按钮说明

Button description

	<p>停止变频器</p> <p>单击：电机按选定的斜坡下降速率减速停车（OFF1）。 双击（< 2 s）或长按（> 3 s）：电机自由停车（OFF2）。</p> <p>Stops the inverter</p> <p>Single press: Motor ramps down to a standstill (OFF1). Double press (< 2 s) or long press (> 3 s): Motor coasts down to a standstill (OFF2).</p>
	<p>启动变频器</p> <p>注意： 若当前变频器处于外部端子控制（P0700 = 2， P1000 = 2）并处于“自动”运行模式，该按钮无效。</p> <p>Starts the inverter</p> <p>Note: This button is inactive if the inverter is configured for control from terminals (P0700 = 2, P1000 = 2) and is in AUTO mode.</p>
	<p>多功能按钮</p> <p>功能同内置 BOP 上的 按钮</p> <p>Multi-function button</p> <p>Button functions the same as the button on the built-in BOP.</p>

	<p>按下按钮：</p> <p>功能同内置 BOP 上的 按钮。</p> <p>Pressing the button:</p> <p>Button functions the same as the button on the built-in BOP.</p> <p>顺时针旋转按钮：</p> <p>功能同内置 BOP 上的 按钮。快速旋转时功能同长按内置 BOP 上的 按钮。</p> <p>Turning clockwise:</p> <p>Button functions the same as the button on the built-in BOP. Fast turning functions the same as long press of the button on the built-in BOP.</p> <p>逆时针旋转按钮：</p> <p>功能同内置 BOP 上的 按钮。快速旋转时功能同长按内置 BOP 上的 按钮。</p> <p>Turning counter-clockwise:</p> <p>Button functions the same as the button on the built-in BOP. Fast turning functions the same as long press of the button on the built-in BOP.</p> <p> 此按钮功能同内置操作面板上的 + 组合按钮。</p> <p>Button functions the same as the + buttons on the built-in BOP.</p>
--	--

	状态图标	Inverter status icons
	变频器存在至少一个未处理故障。	Inverter has at least one pending fault.
	变频器存在至少一个未处理报警。	Inverter has at least one pending alarm.
	<p>常显：变频器在运行中（电机频率可能为 0 转/分）。</p> <p>闪烁：变频器可能被意外上电（例如，霜冻保护模式时）。</p>	<p>Always on: inverter is running (motor frequency may be 0 rpm).</p> <p>Flashing: inverter may be energized unexpectedly (for example, in frost protection mode).</p>
	电机反转。	Motor rotates in the reversed direction.
	<p>常显：变频器处于手动模式。</p> <p>闪烁：变频器处于点动模式。</p>	<p>Always on: inverter is in HAND mode.</p> <p>Flashing: inverter is in JOG mode.</p>
	调试图标。出现该图标表明变频器正处于调试模式（P0010 = 1）。	Commissioning icon. The inverter is in commissioning mode (P0010 = 1).