

# Excel Template for the Labeling Strips of the ET 200SP

Excel Template ET 200SP

[Documentation](#) • [September 2013](#)

Applications & Tools

Answers for industry.

**SIEMENS**

## Warranty and liability

### Note

The Application Examples are not binding and do not claim to be complete regarding the circuits shown, equipping and any eventuality. The Application Examples do not represent customer-specific solutions. They are only intended to provide support for typical applications. You are responsible for ensuring that the described products are used correctly. These application examples do not relieve you of the responsibility to use safe practices in application, installation, operation and maintenance. When using these Application Examples, you recognize that we cannot be made liable for any damage/claims beyond the liability clause described. We reserve the right to make changes to these Application Examples at any time without prior notice.

If there are any deviations between the recommendations provided in these application examples and other Siemens publications – e.g. Catalogs – the contents of the other documents have priority.

We do not accept any liability for the information contained in this document.

Any claims against us – based on whatever legal reason – resulting from the use of the examples, information, programs, engineering and performance data etc., described in this Application Example shall be excluded. Such an exclusion shall not apply in the case of mandatory liability, e.g. under the German Product Liability Act (“Produkthaftungsgesetz”), in case of intent, gross negligence, or injury of life, body or health, guarantee for the quality of a product, fraudulent concealment of a deficiency or breach of a condition which goes to the root of the contract (“wesentliche Vertragspflichten”). The damages for a breach of a substantial contractual obligation are, however, limited to the foreseeable damage, typical for the type of contract, except in the event of intent or gross negligence or injury to life, body or health. The above provisions do not imply a change of the burden of proof to your detriment.

Any form of duplication or distribution of these Application Examples or excerpts hereof is prohibited without the expressed consent of Siemens Industry Sector.

### Caution

The functions and solutions described in this article confine themselves predominantly to the realization of the automation task. Furthermore, please take into account that corresponding protective measures have to be taken in the context of Industrial Security when connecting your equipment to other parts of the plant, the enterprise network or the internet. Further information can be found in Entry ID 50203404.

<http://support.automation.siemens.com/WW/view/en/50203404>

### Siemens Industry Online Support

This article is taken from the Siemens Industry Online Support. The following link takes you directly to the download page of this document:

<http://support.automation.siemens.com/WW/view/en/81524595>

# Contents

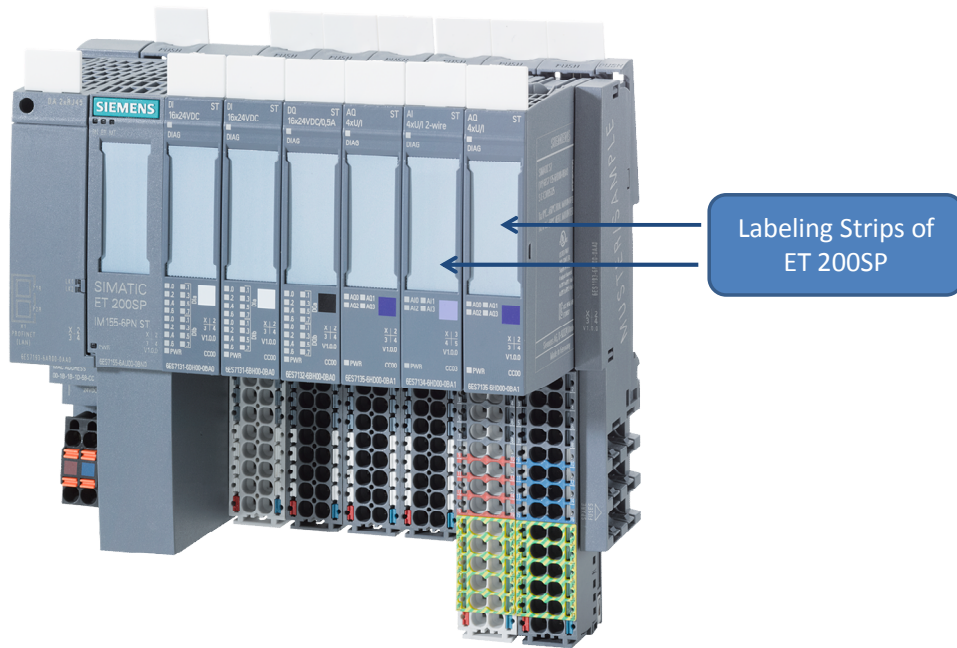
	<b>Warranty and liability</b> .....	<b>2</b>
<b>1</b>	<b>Task</b> .....	<b>4</b>
<b>2</b>	<b>Solution</b> .....	<b>5</b>
	2.1 Overview.....	5
	2.2 Applications and Advantages.....	5
	2.3 Hardware and Software Components.....	5
<b>3</b>	<b>Function</b> .....	<b>6</b>
<b>4</b>	<b>Preparation of the Excel Template</b> .....	<b>7</b>
	4.1 Download the Excel Template.....	7
	4.2 Unpack the Excel Template.....	7
<b>5</b>	<b>Using the Excel Template</b> .....	<b>8</b>
	5.1 Start the Excel Template.....	8
	5.2 Select the Print Format.....	8
	5.3 Configure the Settings.....	10
	5.4 Edit the Cells.....	12
	5.5 Printing the Labeling Strips of the ET 200SP.....	12
<b>6</b>	<b>Literature</b> .....	<b>15</b>
<b>7</b>	<b>History</b> .....	<b>15</b>

# 1 Task

## Overview of the Automation Tasks

The ET 200SP is a new IO system on the market which extends the ET 200 product family. In order to incorporate these into a plant in a manageable way, the labeling strips have to be printed on individually.

Fig. 1-1 The ET 200SP



## 2 Solution

### 2.1 Overview

The labeling strips of the ET 200SP have changed with the new compact design and can no longer be printed on using the old print templates. The "Excel Template for Labeling Strips of the ET 200SP" has been developed for clear and simple vertical and horizontal printing the labeling strips of the ET 200SP.

### 2.2 Applications and Advantages

Application of the "Excel Template for Labeling Strips of the ET 200SP" gives you the following advantages:

- Vertical and horizontal printing of the labeling strips of the ET 200SP
- Clear setting dialog
- Time saving when labeling the ET 200SP

### 2.3 Hardware and Software Components

The Excel Template has been created with the components below.

#### Software Components


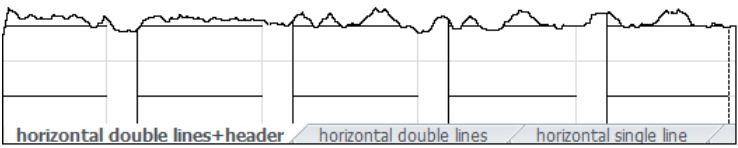
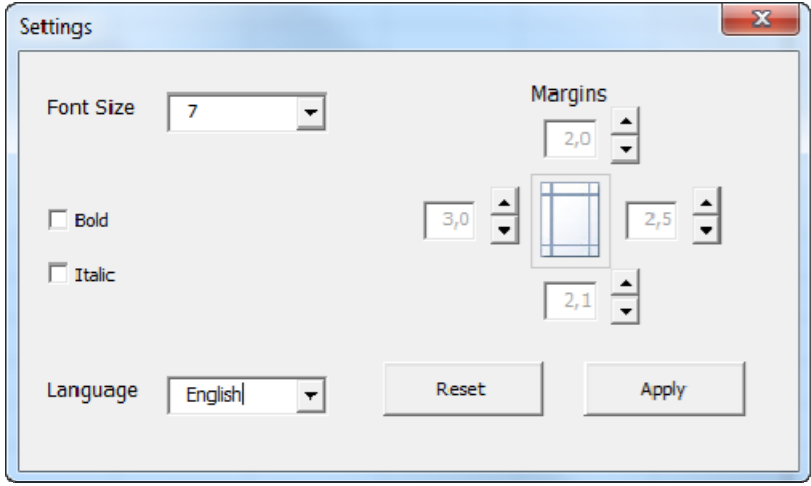
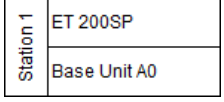
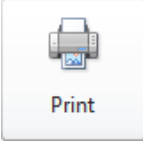
Table 2-1 Software Components

Component	Qty.	Order number	Note
Microsoft Excel 2010	1		

# 3 Function

Below is an overview of the principal procedures for printing the labeling strips of the ET 200SP.

Table 3-1 Function of the Excel Template

Step	Instructions
1.	Open the Excel file. 
2.	Select the print format. 
3.	Configure the Excel table. 
4.	Edit the cells. 
5.	Print the table. 

Copyright © Siemens AG 2013 All rights reserved

## 4 Preparation of the Excel Template

### 4.1 Download the Excel Template

This documentation and the "Excel Template for Labeling Strips of the ET 200SP" are available in the Siemens Industry Online Support. Download the ZIP file from the following entry page in the Siemens Industry Online Support:

<http://support.automation.siemens.com/WW/view/en/81524595>

### 4.2 Unpack the Excel Template

After you have successfully downloaded the file you must unpack it. To do this you double-click the ZIP you have just downloaded and follow the instructions. Unpack the ZIP in a separate directory. This directory then contains the "Excel Template for Labeling Strips of the ET 200SP".

# 5 Using the Excel Template

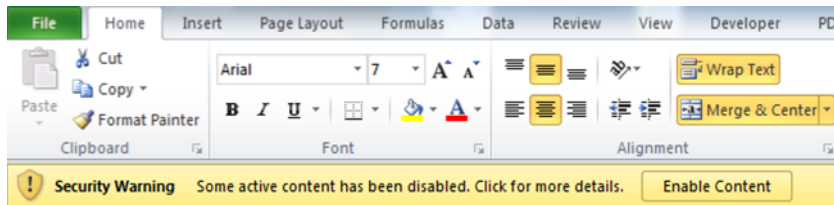
## 5.1 Start the Excel Template

After downloading and unpacking the ZIP file you open the "Excel Template for Labeling Strips of the ET 200SP" file with a double-click.

**Note**

If upon opening the Excel Template you get the security warning indicating that macros have been disabled. Confirm this by clicking the "Enable Content" button. You must enable the macros to ensure full use of all the functions of the "Excel Template for Labeling Strips of the ET 200SP".

Fig. 5-1 Macro security warning

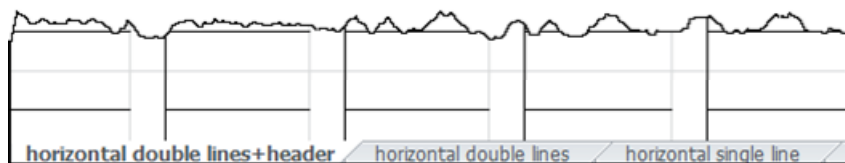


## 5.2 Select the Print Format

When the Excel Template opens, you have six different templates available for vertical and horizontal printing.

The different templates are in the menu list of Microsoft Excel below.

Fig. 5-2 Format templates of the Excel Template



The following format templates are available to you in separate tables:

- Horizontal double lines + header:

Station 1	ET 200SP
	Base Unit A0

- Horizontal double lines:



## 5 Using the Excel Template

### 5.2 Select the Print Format

ET 200SP
Base Unit A0

- Horizontal single line:

ET 200SP Base Unit A0
-----------------------

- Vertical double lines + header:

Station 1	Base Unit A0
ET 200SP	P

- Vertical double lines:

Base Unit A0	ET 200SP
P	

- Vertical single line:

ET 200SP
Base Unit A0

#### Note

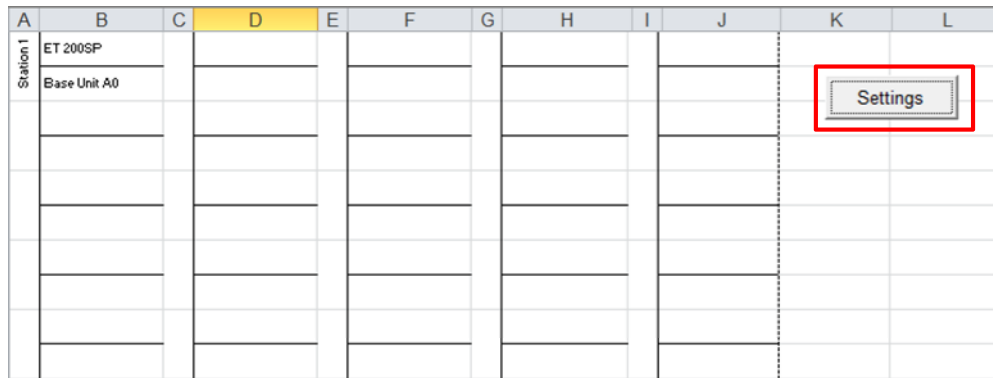
Before starting you should make sure how your ET 200SP is mounted and then select the corresponding format template.

## 5.3 Configure the Settings

The settings dialog mask has been created for changing the main settings of the "Excel Template for Labeling Strips of the ET 200SP".

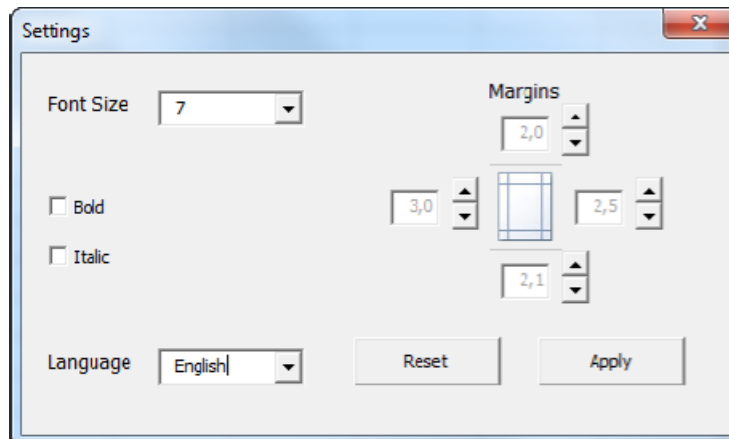
You open this dialog mask by clicking the "Settings" button on the right of the preset cells.

Fig. 5-3 Opening the "Settings" dialog mask



The "Settings" dialog mask opens. Here you can change the margins and font size of the current Excel table.

Fig. 5-4 Settings dialog of the Excel Template



### Changing the language

You can change the language of the Excel Template by selecting "Deutsch" or "English" in the "Language" drop-down list box.

#### Note

If you change the language, it is changed throughout the entire Excel Template, both in the dialog masks and in the Excel tables. This happens as soon as you select the language. Changes in font size and margins are only for the current table and do not affect other tables. They are applied only when you click the "Apply" button.

#### Font size

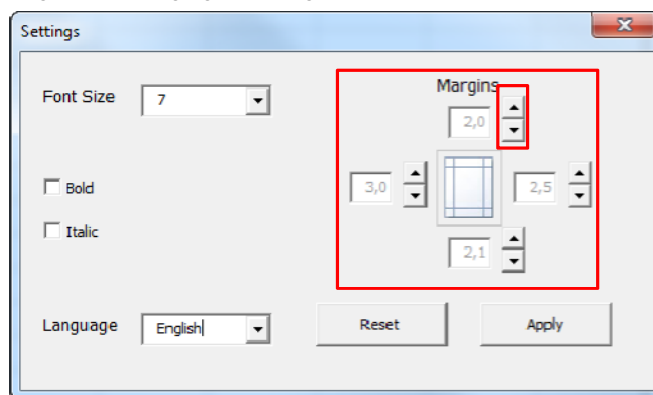
To change the font size for the current table you select the required size in the "Font Size" drop-down list box. You can select font sizes from 6 to 10. Larger or smaller font sizes are no longer manageable for the labeling strips of the ET 200SP.

You can also make the texts bold and italic. For this you select the "Bold" and "Italic" options as required. The texts of the current page are then changed accordingly when you click the "Apply" button.

#### Margins

You change the margins by clicking the arrow buttons which changes the values in steps of 0.1. The margin unit is centimeters.

Fig. 5-5 Changing the margins



#### Note

Only change the values for the margins if there are shifts in the printer when printing the labeling strips of the ET 200SP.

#### Reset

Clicking the "Reset" button restores all the default values of the "Settings" dialog mask and you apply them according by clicking the "Apply" button. These default values are:

- Font size 7
- Italic disabled
- Bold disabled
- Top margin: 2.0 cm
- Left margin: 3.0 cm
- Bottom margin: 2.1 cm
- Right margin: 2.5 cm

#### Apply

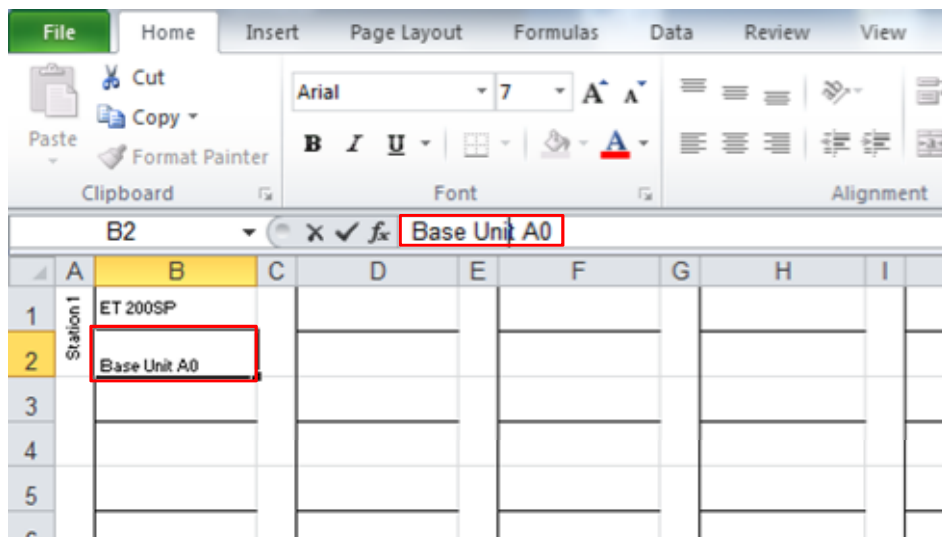
Clicking the "Apply" button applies the changes made in the dialog mask to the texts of the current page and closes the dialog mask.

**Note** To avoid making errors when changing the font size and margins in the Excel Template, make the changes only using the "Settings" button which is designed exactly for this.

## 5.4 Edit the Cells

You can now proceed to edit the texts in the prepared Excel cells. For this you click the cell to be edited and then click in the address bar to edit the texts.

Fig. 5-6 Editing the texts



**Note** If the texts do not fit into the cells, you can change the font size in the "Settings" dialog mask. For this you click the "Settings" button and make the changes as required.

## 5.5 Printing the Labeling Strips of the ET 200SP

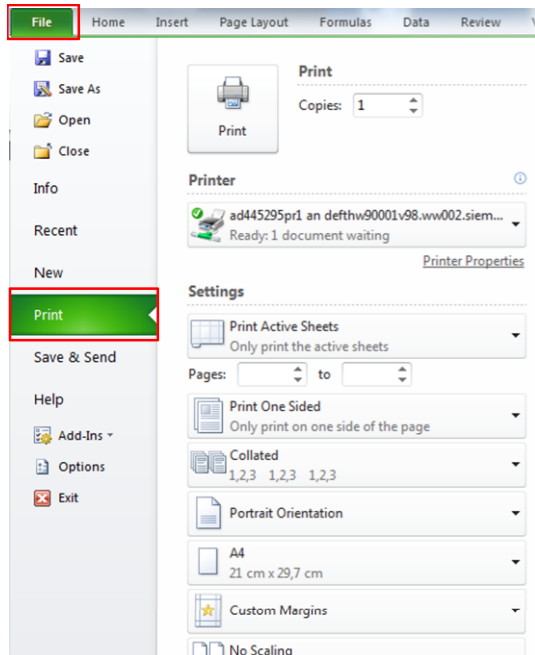
When you have finished editing the texts and have made the appropriate settings, you can continue with the next step of "Printing the labeling Strips of the ET 200SP".

For this you click "Start" in the toolbar and then "Print".

## 5 Using the Excel Template

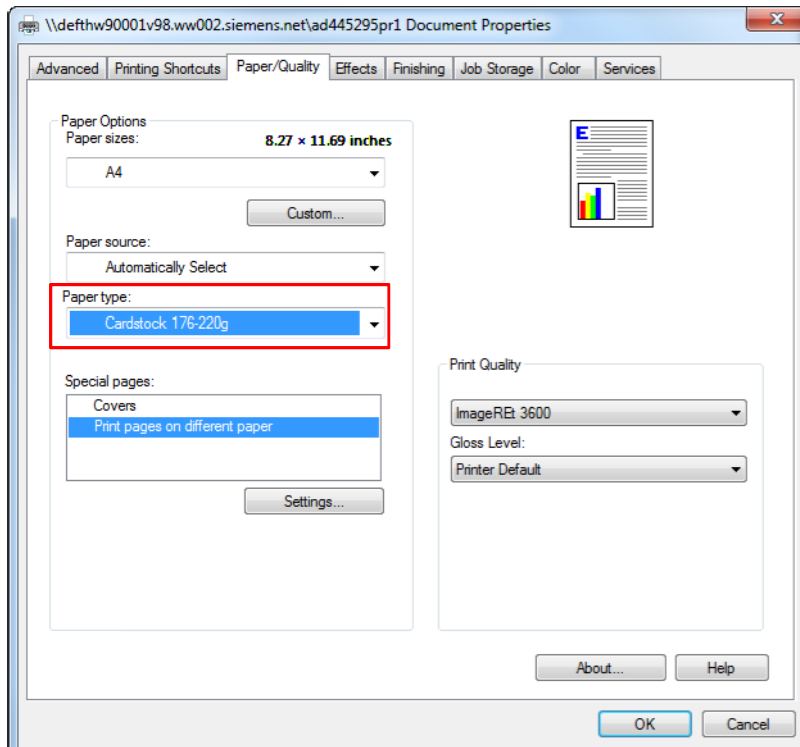
### 5.5 Printing the Labeling Strips of the ET 200SP

Fig. 5-7 Setting the printer



Under the "Printer" item you select your printer.  
Open the printer properties by clicking the "Printer Properties" text and then you set "Cardstock 176-220g" as the paper type.

Fig. 5-8 Setting the printer properties



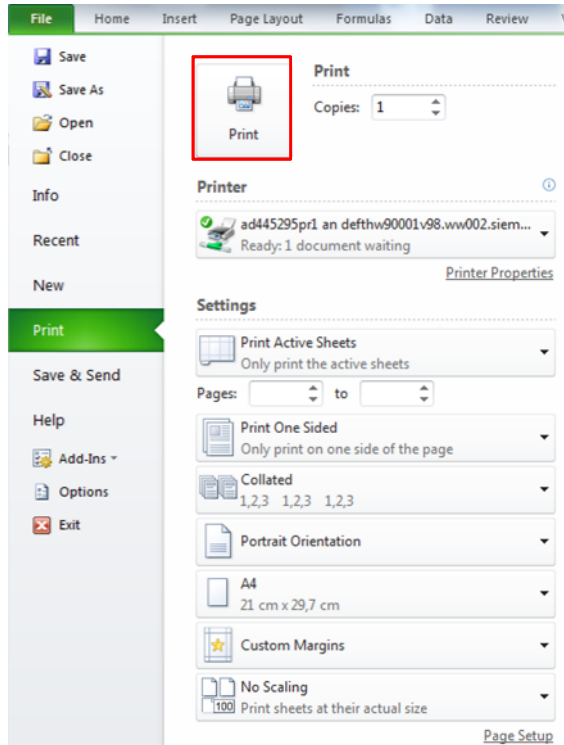
Confirm the settings by clicking on the "OK" button.

## 5 Using the Excel Template

### 5.5 Printing the Labeling Strips of the ET 200SP

Click the "Print" button to send off the print job.

Fig. 5-9 Printing the labeling strips



#### Note

There might be slight shifts when printing the labeling strips depending on the intake speed of the printer concerned. You can compensate these shifts by using single sheet feed or changing the margins.

## 6 Literature

Table 6-1

	Subject area	Title
\1\	Siemens Industry Online Support	<a href="http://support.automation.siemens.com">http://support.automation.siemens.com</a>
\2\	Download page of the entry	<a href="http://support.automation.siemens.com/WW/view/en/81524595">http://support.automation.siemens.com/WW/view/en/81524595</a>
\3\	SIMATIC ET 200SP	<a href="http://support.automation.siemens.com/WW/view/en/59763875">http://support.automation.siemens.com/WW/view/en/59763875</a>

## 7 History

Table 7-1

Version	Date	Change
V1.0	08/2013	First edition