

**SIEMENS**



# SIMATIC

**S7-1500 / ET 200MP**

Analog Input/Output Module AI 4xU/I/RTD/TC / AQ 2xU/I ST (6ES7534-7QE00-0AB0)

Manual

Edition

09/2016

[siemens.com](http://siemens.com)

# SIEMENS

## SIMATIC

### S7-1500/ET 200MP Analog Input/Output Module AI 4xU/I/RTD/TC/ AQ 2xU/I ST (6ES7534-7QE00-0AB0)

Manual

Preface

---

Guide to documentation

1

Product overview

2

Wiring

3

Parameters/address space

4

Interrupts/diagnostics alarms

5

Technical specifications

6

Dimension drawing

A

Parameter data records

B




Analog value processing

C

## Legal information

### Warning notice system

This manual contains notices you have to observe in order to ensure your personal safety, as well as to prevent damage to property. The notices referring to your personal safety are highlighted in the manual by a safety alert symbol, notices referring only to property damage have no safety alert symbol. These notices shown below are graded according to the degree of danger.

 <b>DANGER</b>
indicates that death or severe personal injury <b>will</b> result if proper precautions are not taken.
 <b>WARNING</b>
indicates that death or severe personal injury <b>may</b> result if proper precautions are not taken.
 <b>CAUTION</b>
indicates that minor personal injury can result if proper precautions are not taken.
<b>NOTICE</b>
indicates that property damage can result if proper precautions are not taken.


If more than one degree of danger is present, the warning notice representing the highest degree of danger will be used. A notice warning of injury to persons with a safety alert symbol may also include a warning relating to property damage.

### Qualified Personnel

The product/system described in this documentation may be operated only by **personnel qualified** for the specific task in accordance with the relevant documentation, in particular its warning notices and safety instructions. Qualified personnel are those who, based on their training and experience, are capable of identifying risks and avoiding potential hazards when working with these products/systems.

### Proper use of Siemens products

Note the following:

 <b>WARNING</b>
Siemens products may only be used for the applications described in the catalog and in the relevant technical documentation. If products and components from other manufacturers are used, these must be recommended or approved by Siemens. Proper transport, storage, installation, assembly, commissioning, operation and maintenance are required to ensure that the products operate safely and without any problems. The permissible ambient conditions must be complied with. The information in the relevant documentation must be observed.

### Trademarks

All names identified by ® are registered trademarks of Siemens AG. The remaining trademarks in this publication may be trademarks whose use by third parties for their own purposes could violate the rights of the owner.

### Disclaimer of Liability

We have reviewed the contents of this publication to ensure consistency with the hardware and software described. Since variance cannot be precluded entirely, we cannot guarantee full consistency. However, the information in this publication is reviewed regularly and any necessary corrections are included in subsequent editions.

# Preface

## Purpose of the documentation

This manual supplements the system manual S7-1500/ET 200MP (<https://support.industry.siemens.com/cs/ww/en/view/59191792>).

Functions that relate in general to the systems are described in this system manual.

The information provided in this manual and in the system/function manuals supports you in commissioning the systems.

## Changes compared to previous version

Compared to the previous version, this manual contains the following change:

Original texts of the license conditions and copyright notes for open-source software are available on the Internet as of 09/2016.

## Conventions

The term "CPU" is used in this manual both for the CPUs of the S7-1500 automation system, as well as for interface modules of the ET 200MP distributed I/O system.

Please also observe notes marked as follows:

---

### Note

A note contains important information on the product described in the documentation, on the handling of the product or on the section of the documentation to which particular attention should be paid.

---

## Security information

Siemens provides products and solutions with industrial security functions that support the secure operation of plants, systems, machines and networks.

In order to protect plants, systems, machines and networks against cyber threats, it is necessary to implement – and continuously maintain – a holistic, state-of-the-art industrial security concept. Siemens' products and solutions only form one element of such a concept.

Customer is responsible to prevent unauthorized access to its plants, systems, machines and networks. Systems, machines and components should only be connected to the enterprise network or the internet if and to the extent necessary and with appropriate security measures (e.g. use of firewalls and network segmentation) in place.

Additionally, Siemens' guidance on appropriate security measures should be taken into account. For more information about industrial security, please visit (<http://www.siemens.com/industrialsecurity>).

Siemens' products and solutions undergo continuous development to make them more secure. Siemens strongly recommends to apply product updates as soon as available and to always use the latest product versions. Use of product versions that are no longer supported, and failure to apply latest updates may increase customer's exposure to cyber threats.

To stay informed about product updates, subscribe to the Siemens Industrial Security RSS Feed under (<http://www.siemens.com/industrialsecurity>).

## Open Source Software

Open-source software is used in the firmware of the I/O modules. Open Source Software is provided free of charge. We are liable for the product described, including the open-source software contained in it, pursuant to the conditions applicable to the product. Siemens accepts no liability for the use of the open source software over and above the intended program sequence, or for any faults caused by modifications to the software.

For legal reasons, we are obliged to publish the original text of the license conditions and copyright notices. Please read the information relating to this on the Internet (<https://support.industry.siemens.com/cs/ww/en/view/109741045>).

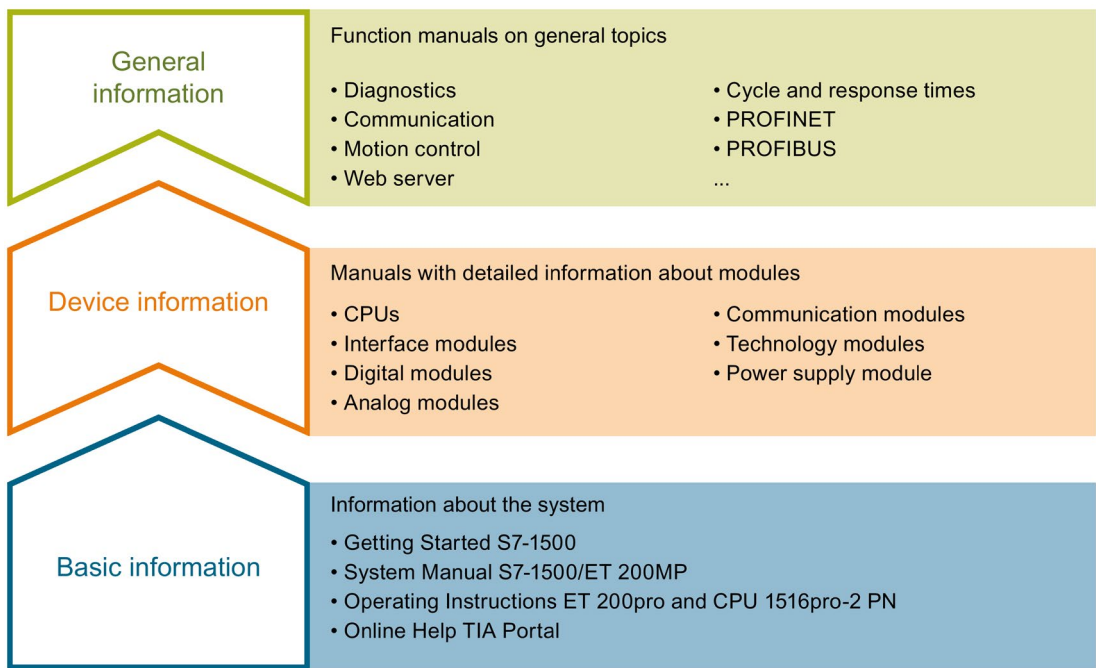
# Table of contents

	<b>Preface</b> .....	<b>4</b>
<b>1</b>	<b>Guide to documentation</b> .....	<b>7</b>
<b>2</b>	<b>Product overview</b> .....	<b>11</b>
2.1	Properties .....	11
<b>3</b>	<b>Wiring</b> .....	<b>14</b>
3.1	Wiring and block diagrams .....	14
<b>4</b>	<b>Parameters/address space</b> .....	<b>25</b>
4.1	Measurement types and ranges .....	25
4.2	Output type and output ranges .....	28
4.3	Parameters .....	29
4.4	Explanation of parameters .....	33
4.5	Address space .....	37
<b>5</b>	<b>Interrupts/diagnostics alarms</b> .....	<b>45</b>
5.1	Status and error displays .....	45
5.2	Interrupts .....	47
5.3	Diagnostics alarms .....	49
<b>6</b>	<b>Technical specifications</b> .....	<b>51</b>
<b>A</b>	<b>Dimension drawing</b> .....	<b>60</b>
<b>B</b>	<b>Parameter data records</b> .....	<b>62</b>
B.1	Parameter assignment and structure of the parameter data records .....	62
B.2	Structure of a data record for input channels .....	64
B.3	Structure of a data record for output channels .....	72
B.4	Structure of a data record for dynamic reference temperature .....	75
<b>C</b>	<b>Analog value processing</b> .....	<b>77</b>
C.1	Representation of input ranges .....	78
C.1.1	Representation of analog values in voltage measuring ranges .....	79
C.1.2	Representation of analog values in the current measuring ranges .....	80
C.1.3	Representation of the analog values of resistance-based sensors/resistance thermometers .....	81
C.1.4	Representation of analog values for thermocouples .....	84
C.1.5	Measured values for wire break diagnostics .....	87
C.2	Representation of output ranges .....	88
C.2.1	Representation of analog values in the voltage output ranges .....	89
C.2.2	Representation of analog values in the current output ranges .....	90

## Guide to documentation

The documentation for the SIMATIC S7-1500 automation system, the CPU 1516pro-2 PN based on SIMATIC S7-1500 and the SIMATIC ET 200MP distributed I/O system is arranged into three areas.

This arrangement enables you to access the specific content you require.



### Basic information

The System Manual and Getting Started describe in detail the configuration, installation, wiring and commissioning of the SIMATIC S7-1500 and ET 200MP systems. For CPU 1516pro-2 PN you use the corresponding operating instructions. The STEP 7 online help supports you in the configuration and programming.

### Device information

Product manuals contain a compact description of the module-specific information, such as properties, wiring diagrams, characteristics and technical specifications.

### General information

The function manuals contain detailed descriptions on general topics regarding the SIMATIC S7-1500 and ET 200MP systems, e.g. diagnostics, communication, motion control, Web server, OPC UA.

You can download the documentation free of charge from the Internet (<http://w3.siemens.com/mcms/industrial-automation-systems-simatic/en/manual-overview/Pages/Default.aspx>).

Changes and supplements to the manuals are documented in a Product Information.

You can download the product information free of charge from the Internet (<https://support.industry.siemens.com/cs/us/en/view/68052815>).

### Manual Collection S7-1500/ET 200MP

The Manual Collection contains the complete documentation on the SIMATIC S7-1500 automation system and the ET 200MP distributed I/O system gathered together in one file.

You can find the Manual Collection on the Internet (<https://support.industry.siemens.com/cs/ww/en/view/86140384>).

### SIMATIC S7-1500 comparison list for programming languages

The comparison list contains an overview of which instructions and functions you can use for which controller families.

You can find the comparison list on the Internet (<https://support.industry.siemens.com/cs/ww/en/view/86630375>).

### "mySupport"

With "mySupport", your personal workspace, you make the best out of your Industry Online Support.

In "mySupport", you can save filters, favorites and tags, request CAx data and compile your personal library in the Documentation area. In addition, your data is already filled out in support requests and you can get an overview of your current requests at any time.

You must register once to use the full functionality of "mySupport".

You can find "mySupport" on the Internet (<https://support.industry.siemens.com/My/ww/en>).

### "mySupport" - Documentation

In the Documentation area in "mySupport" you can combine entire manuals or only parts of these to your own manual.

You can export the manual as PDF file or in a format that can be edited later.

You can find "mySupport" - Documentation on the Internet (<http://support.industry.siemens.com/My/ww/en/documentation>).



## "mySupport" - CAx data

In the CAx data area in "mySupport", you can access the current product data for your CAx or CAe system.

You configure your own download package with a few clicks.

In doing so you can select:

- Product images, 2D dimension drawings, 3D models, internal circuit diagrams, EPLAN macro files
- Manuals, characteristics, operating manuals, certificates
- Product master data

You can find "mySupport" - CAx data on the Internet (<http://support.industry.siemens.com/my/ww/en/CAxOnline>).

## Application examples

The application examples support you with various tools and examples for solving your automation tasks. Solutions are shown in interplay with multiple components in the system - separated from the focus on individual products.

You will find the application examples on the Internet (<https://support.industry.siemens.com/sc/ww/en/sc/2054>).

## TIA Selection Tool

With the TIA Selection Tool, you can select, configure and order devices for Totally Integrated Automation (TIA).

This tool is the successor of the SIMATIC Selection Tool and combines the known configurators for automation technology into one tool.

With the TIA Selection Tool, you can generate a complete order list from your product selection or product configuration.

You can find the TIA Selection Tool on the Internet (<http://w3.siemens.com/mcms/topics/en/simatic/tia-selection-tool>).

## SIMATIC Automation Tool

You can use the SIMATIC Automation Tool to run commissioning and maintenance activities simultaneously on various SIMATIC S7 stations as a bulk operation independently of the TIA Portal.

The SIMATIC Automation Tool provides a multitude of functions:

- Scanning of a PROFINET/Ethernet network and identification of all connected CPUs
- Address assignment (IP, subnet, gateway) and station name (PROFINET device) to a CPU
- Transfer of the date and the programming device/PC time converted to UTC time to the module
- Program download to CPU
- Operating mode switchover RUN/STOP
- Localization of the CPU by means of LED flashing
- Reading out CPU error information
- Reading the CPU diagnostic buffer
- Reset to factory settings
- Updating the firmware of the CPU and connected modules

You can find the SIMATIC Automation Tool on the Internet (<https://support.industry.siemens.com/cs/ww/en/view/98161300>).

## PRONETA

With SIEMENS PRONETA (PROFINET network analysis), you analyze the PROFINET network during commissioning. PRONETA features two core functions:

- The topology overview independently scans PROFINET and all connected components.
- The IO check is a fast test of the wiring and the module configuration of a system.

You can find SIEMENS PRONETA on the Internet (<https://support.industry.siemens.com/cs/ww/en/view/67460624>).

## Product overview

### 2.1 Properties

#### Article number

6ES7534-7QE00-0AB0

#### View of the module

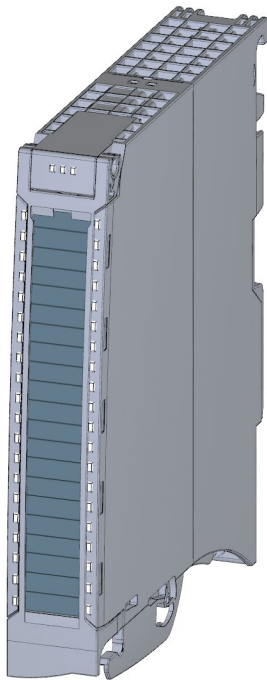


Figure 2-1 View of the AI 4xU/I/RTD/TC/ AQ 2xU/I ST module

**Properties**

The module has the following technical properties:

- Analog inputs
  - 4 analog inputs
  - Resolution 16 bits including sign
  - Voltage measurement type can be set per channel
  - Current measurement type can be set per channel
  - Resistance measurement type can be set for channel 0 and 2
  - Resistance thermometer (RTD) measurement type can be set for channel 0 and 2
  - Thermocouple (TC) measurement type can be set per channel
  - Configurable diagnostics (per channel)
  - Hardware interrupt on limit violation can be set per channel (two low and two high limits per channel)
- Analog outputs
  - 2 analog outputs
  - Resolution: 16 bits including sign
  - Selection of channels for voltage output
  - Selection of channels for current output
  - Configurable diagnostics (per channel)

The module supports the following functions:

Table 2- 1 Version dependencies of the module functions

Function	Firmware version of the module	Configuration software	
		STEP 7 (TIA Portal)	GSD file in STEP 7 (TIA Portal) V12 or higher, or STEP 7 V5.5 SP3 or higher
Firmware update	V1.0.0 or higher	V13 or higher with HSP 0102	X
Calibration in runtime	V1.0.0 or higher	V13 or higher with HSP 0102	X
Identification data I&M0 to I&M3	V1.0.0 or higher	V13 or higher with HSP 0102	X
Parameter assignment in RUN	V1.0.0 or higher	V13 or higher with HSP 0102	X
Module-internal Shared Input (MSI) / Shared Output (MSO)	V1.0.0 or higher	V13 Update 3 or higher (PROFINET IO only)	X (PROFINET IO only)
Configurable submodules / submodules for Shared Device	V1.0.0 or higher	V13 Update 3 or higher (PROFINET IO only)	X (PROFINET IO only)

You can configure the module with STEP 7 (TIA Portal) and with a GSD file.

## Accessories

The following accessories are supplied with the module and can also be ordered separately as spare parts:

- Front connector (push-in terminals) including cable tie
- Shield bracket
- Shield terminal
- Power supply element (push-in terminals)
- Labeling strips
- U connector
- Universal front door

You can find additional information on accessories in the system manual S7-1500/ET 20MP (<https://support.industry.siemens.com/cs/ww/en/view/59191792>).

# Wiring

## 3.1 Wiring and block diagrams

This section contains the block diagram of the module and outlines various connection options.

You can find information on wiring the front connector, creating a cable shield, etc. in the Wiring section of the system manual S7-1500/ET 200MP (<https://support.industry.siemens.com/cs/ww/en/view/59191792>).

You can find additional information on compensating the reference junction temperature in the function manual Analog value processing (<http://support.automation.siemens.com/WW/view/en/67989094>), the structure of a data record in the section Structure of a data record for dynamic reference temperature (Page 75).

---

### Note

You may use and combine the different wiring options for all channels.

---

### Abbreviations used

$U_n+/U_n-$	Voltage input channel n (voltage only)
$M_n+/M_n-$	Measuring input channel n
$I_n+/I_n-$	Current input channel n (current only)
$I_{c,n}+/I_{c,n-}$	Current output for RTD, channel n
$U_{Vn}$	Supply voltage at channel n for 2-wire transmitters (2WMT)
$QV_n$	Voltage output channel
$QI_n$	Current output channel
$S_n+/S_n-$	Sense line channel
L+	Connection for supply voltage
M	Ground connection
$M_{ANA}$	Reference potential of the analog circuit

### Pin assignment for the power supply element

The power supply element is plugged onto the front connector for powering the analog module. Wire the supply voltage to terminals 41 (L+) and 43 (M).

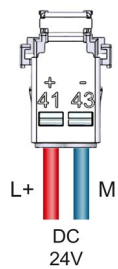


Figure 3-1 Power supply element wiring

Connection: Voltage measurement

The example in the following figure shows the pin assignment for voltage measurement.

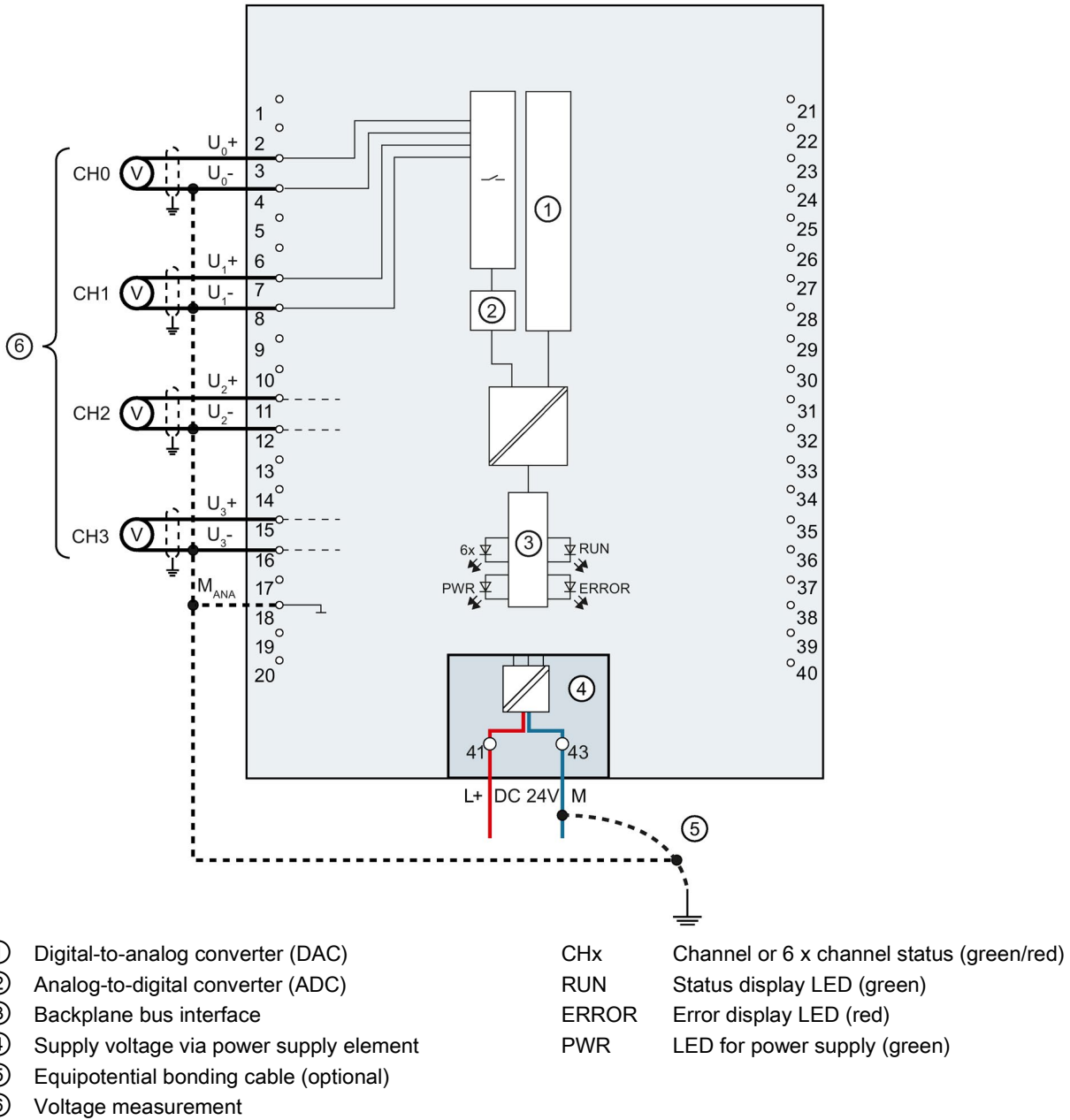


Figure 3-2 Block diagram and pin assignment for voltage measurement



### Connection: 4-wire transmitters for current measurement

The example in the following figure shows the pin assignment for current measurement with 4-wire transmitters.

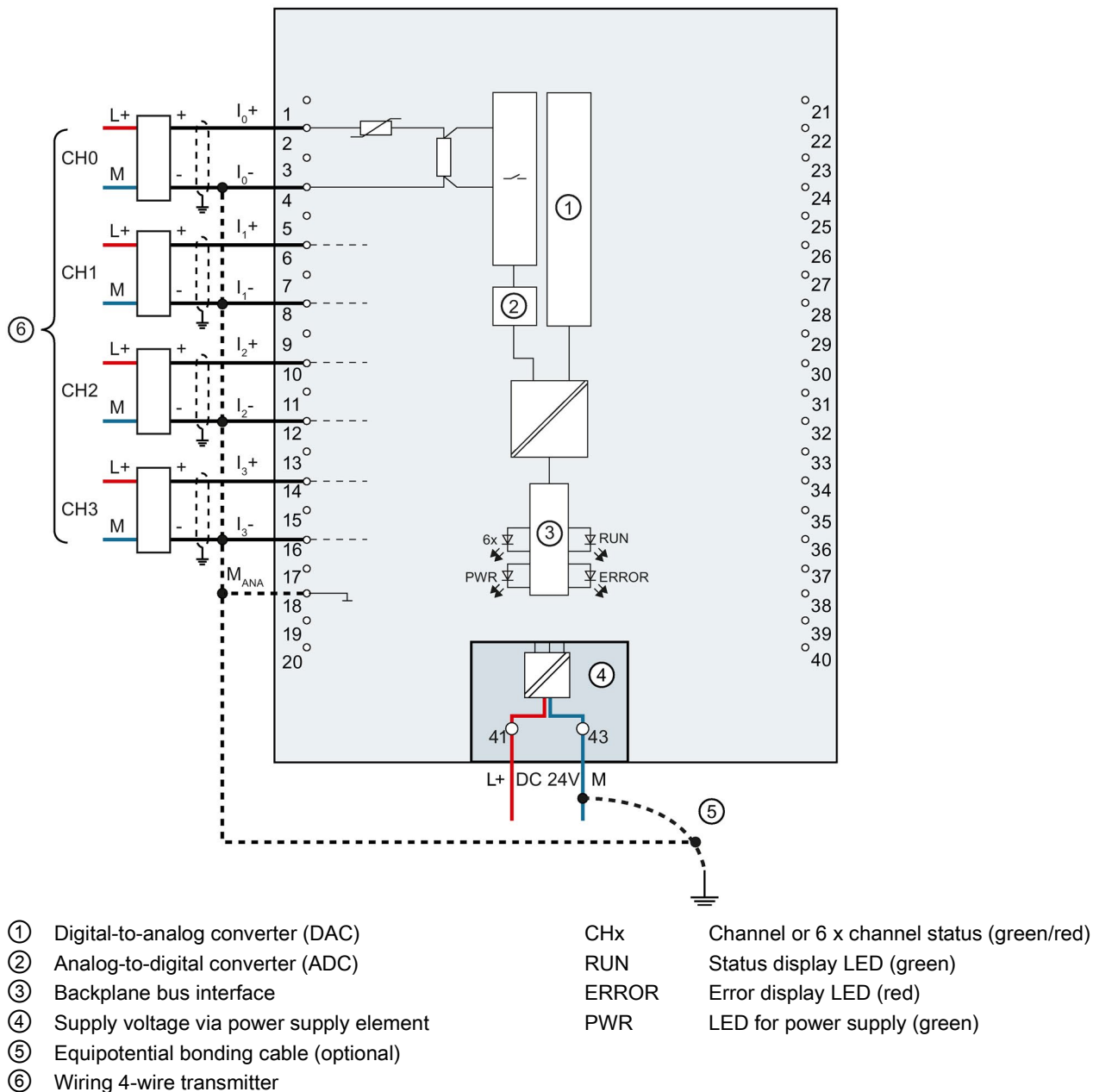


Figure 3-3 Block diagram and pin assignment for 4-wire transmitters for current measurement

Connection: 2-wire transmitters for current measurement

The example in the following figure shows the pin assignment for current measurement with 2-wire transmitters.

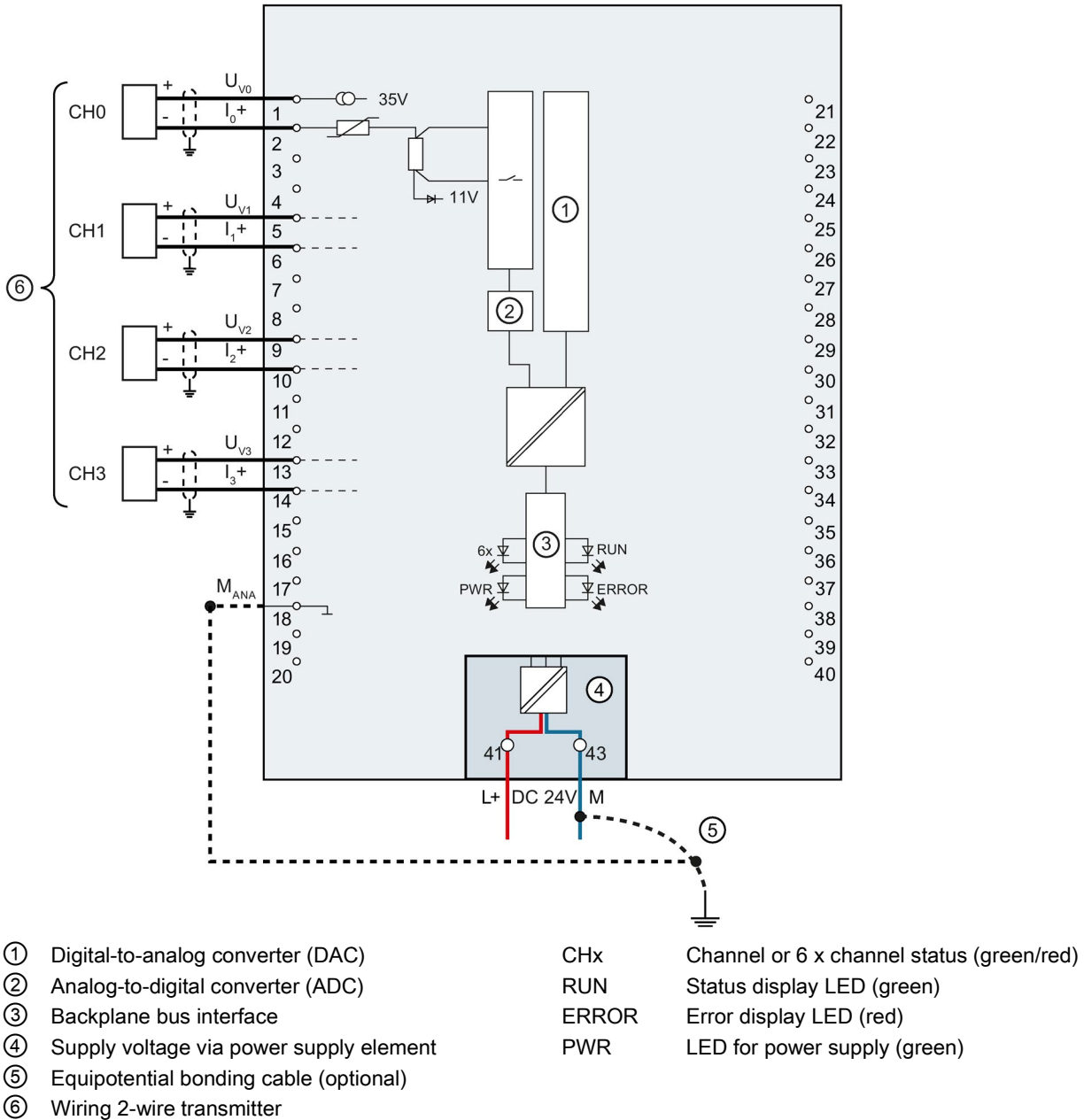


Figure 3-4 Block diagram and pin assignment for 2-wire transmitters for current measurement

**Connection: 2-wire connection of resistance-based sensors or thermal resistors (RTD)**

The example in the figure below shows the pin assignment for 2-wire connection of resistance sensors or thermal resistors.

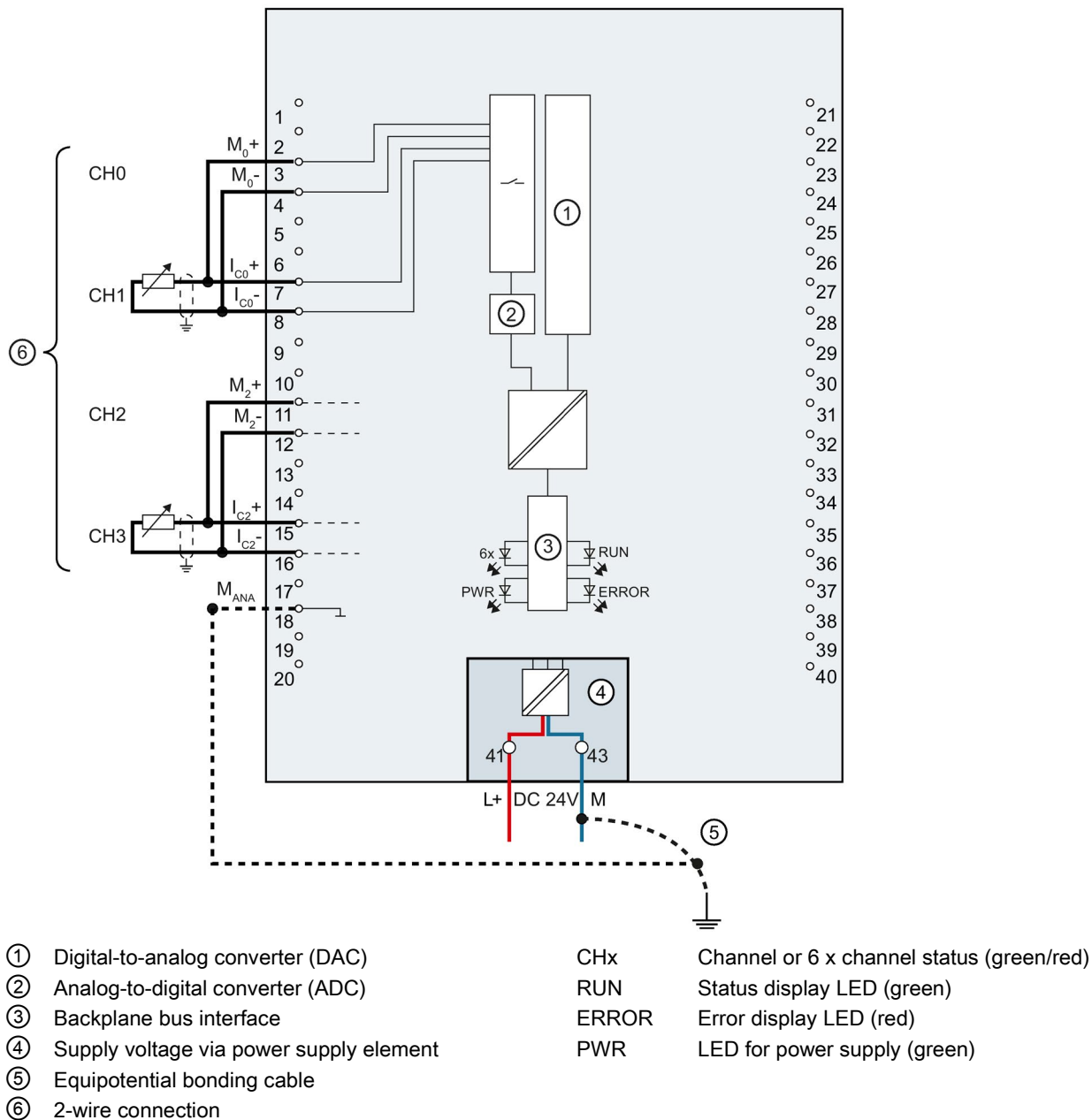
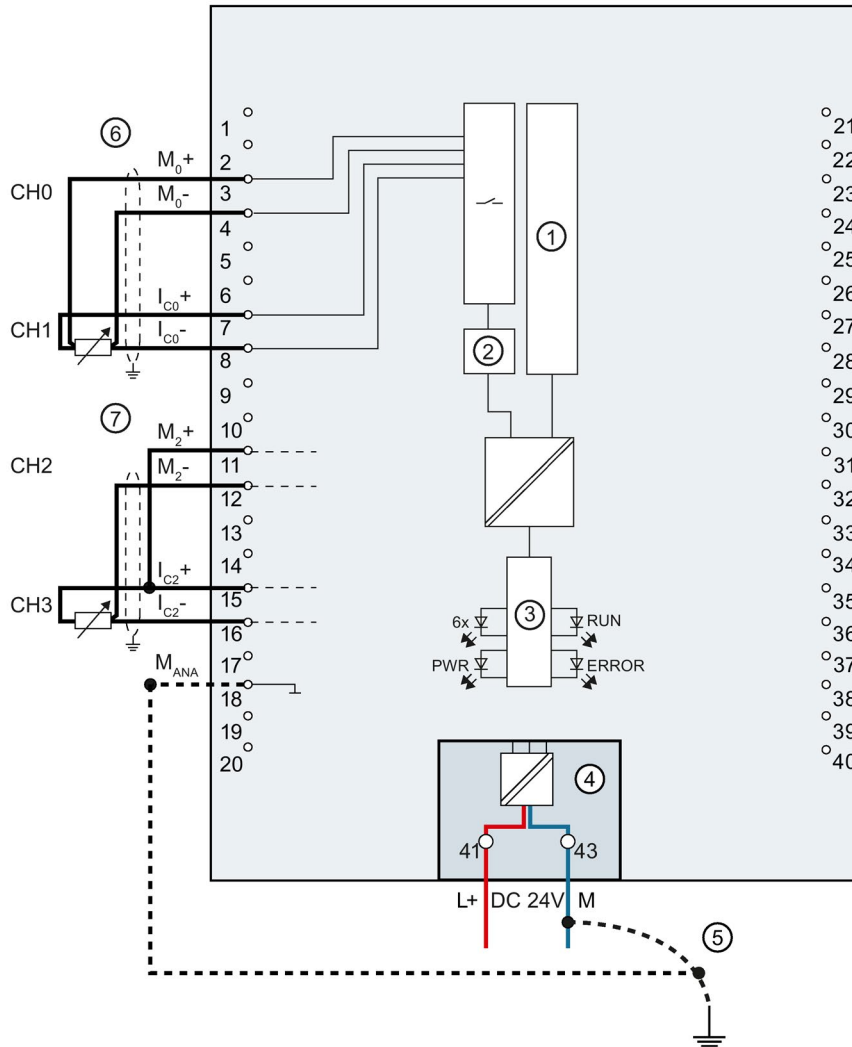


Figure 3-5 Block diagram and pin assignment for 2-wire connection

**Connection: 3- and 4-wire connection of resistance-based sensors or thermal resistors (RTD)**

The example in the figure below shows the pin assignment for 3- and 4-wire connection of resistance-based sensors or thermal resistors.



- |   |   |       |   |
|---|---|-------|---|
| ① | Digital-to-analog converter (DAC)       | CHx   | Channel or 6 x channel status (green/red) |
| ② | Analog-to-digital converter (ADC)       | RUN   | Status display LED (green)                |
| ③ | Backplane bus interface                 | ERROR | Error display LED (red)                   |
| ④ | Supply voltage via power supply element | PWR   | LED for power supply (green)              |
| ⑤ | Equipotential bonding cable             |       |   |
| ⑥ | 4-wire connection                       |       |   |
| ⑦ | 3-wire connection                       |       |   |

Figure 3-6 Block diagram and pin assignment for 3- and 4-wire connection

**Connection: Thermocouples for external / internal compensation**

The figure below shows an example of the pin assignment for thermocouples for external or internal compensation.

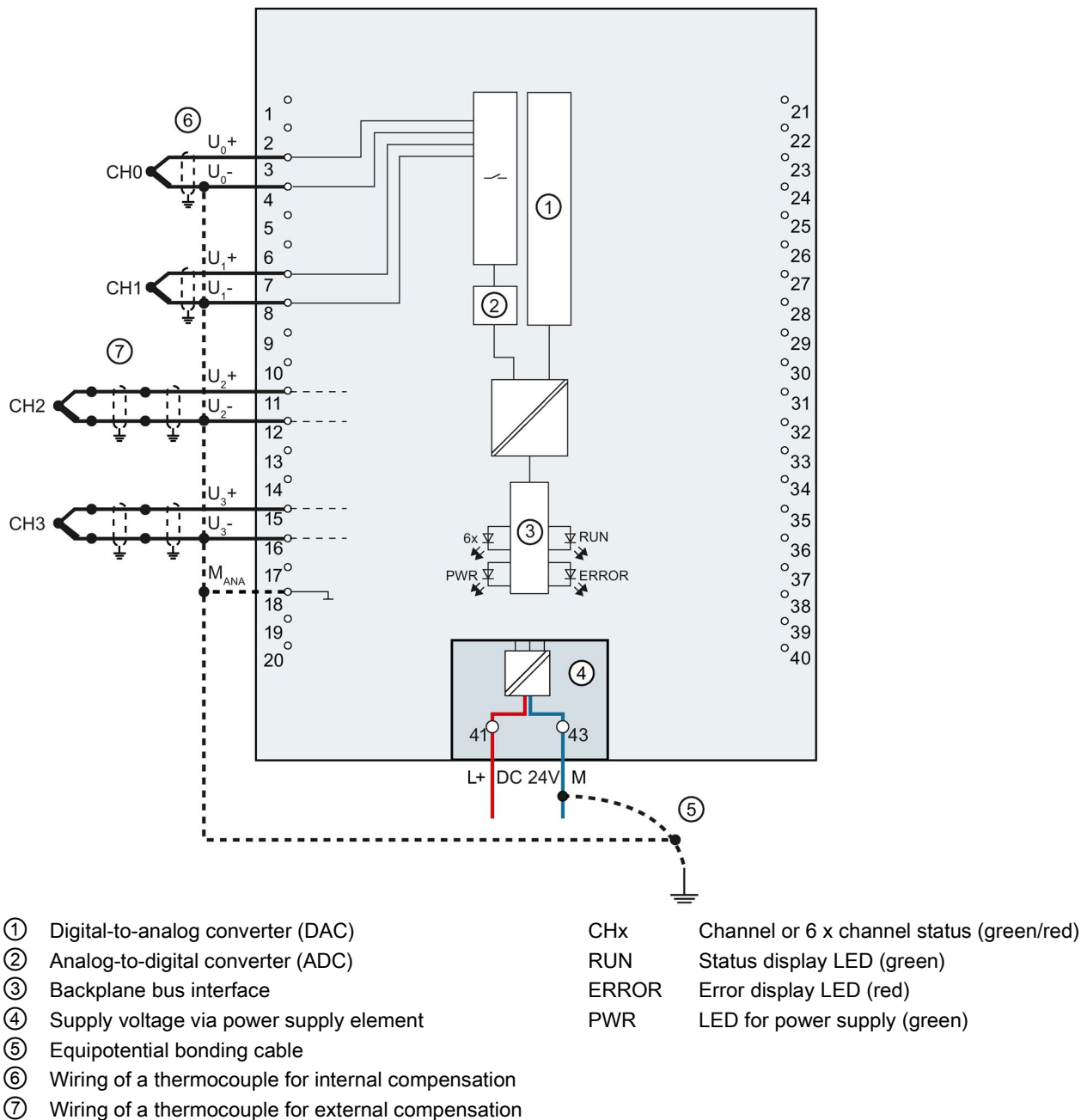
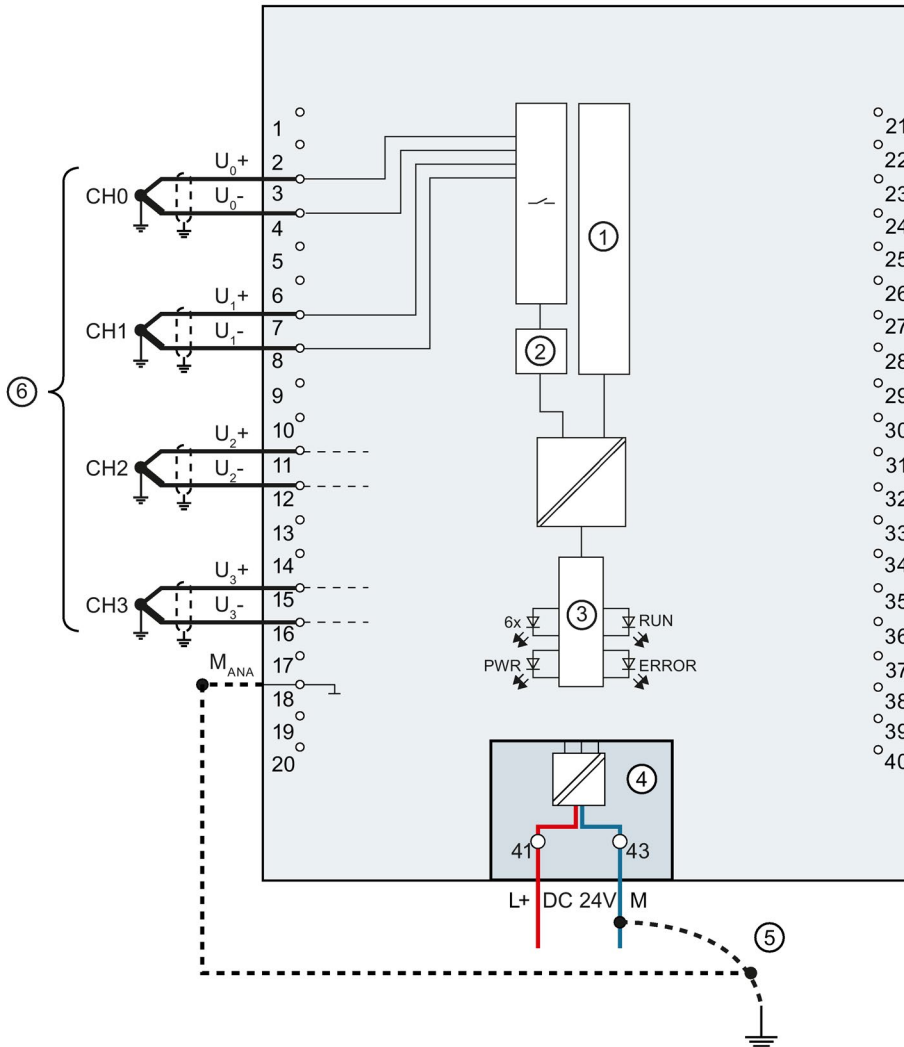


Figure 3-7 Block diagram and pin assignment for thermocouples and resistance thermometers

**Connection: Grounded thermocouples for internal compensation**

The following figure shows an example of the pin assignment for grounded thermocouples for internal compensation.



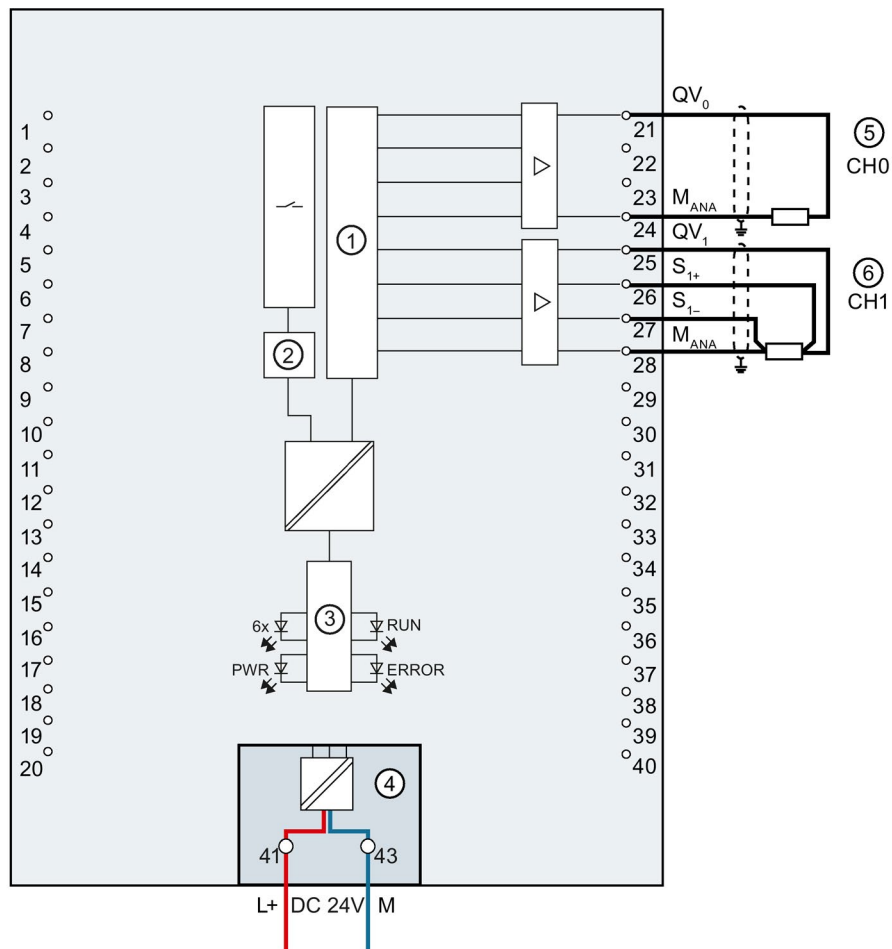
- |   |       |   |
|---|-------|---|
| ① Digital-to-analog converter (DAC)                             | CHx   | Channel or 6 x channel status (green/red) |
| ② Analog-to-digital converter (ADC)                             | RUN   | Status display LED (green)                |
| ③ Backplane bus interface                                       | ERROR | Error display LED (red)                   |
| ④ Supply voltage via power supply element                       | PWR   | LED for power supply (green)              |
| ⑤ Equipotential bonding cable                                   |       |   |
| ⑥ Wiring of a thermocouple (grounded) for internal compensation |       |   |

Figure 3-8 Block diagram and pin assignment for grounded thermocouples

**Connection: Voltage output**

The figure below shows an example of the pin assignment for the circuits of the voltage outputs with:

- 2-wire connection, without compensation for line resistances.
- 4-wire connection, with compensation for line resistances.

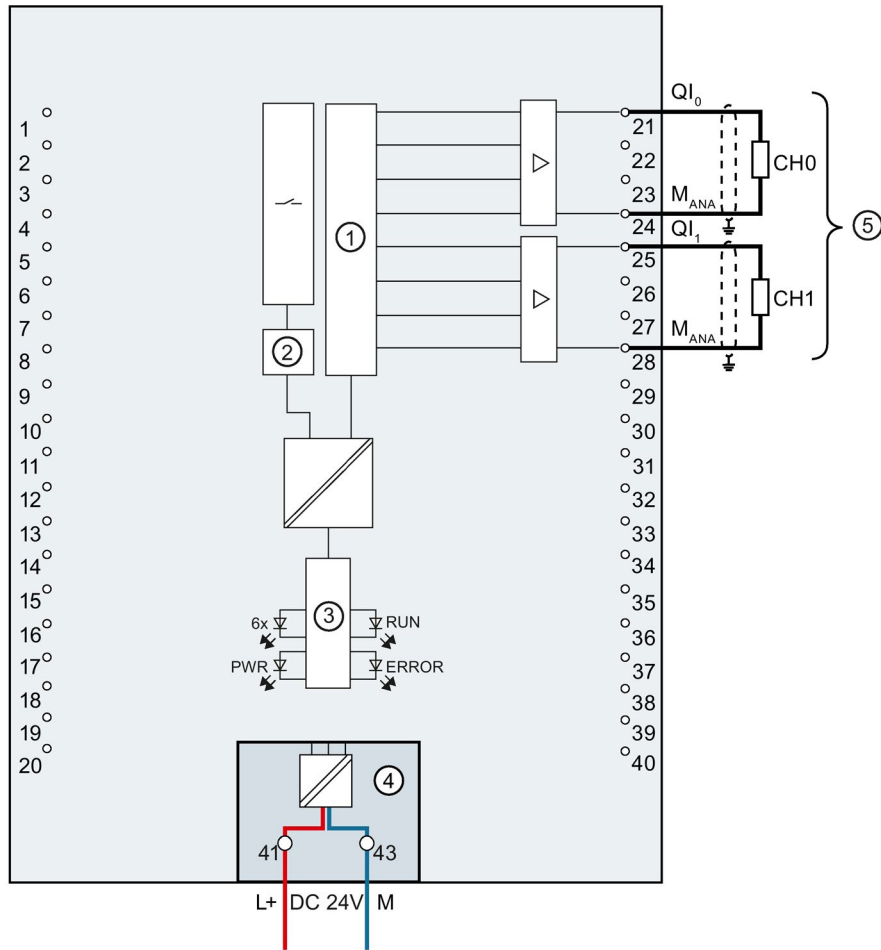


- |   |   |       |   |
|---|---|-------|---|
| ① | Digital-to-analog converter (DAC)       | CHx   | Channel or 6 x channel status (green/red) |
| ② | Analog-to-digital converter (ADC)       | RUN   | Status display LED (green)                |
| ③ | Backplane bus interface                 | ERROR | Error display LED (red)                   |
| ④ | Supply voltage via power supply element | PWR   | LED for power supply (green)              |
| ⑤ | 2-wire connection                       |       |   |
| ⑥ | 4-wire connection                       |       |   |

Figure 3-9 Block diagram and pin assignment for the voltage output

Connection: Current output

The following figure shows an example of the pin assignment for current output circuitry.



- |   |   |       |   |
|---|---|-------|---|
| ① | Digital-to-analog converter (DAC)       | CHx   | Channel or 6 x channel status (green/red) |
| ② | Analog-to-digital converter (ADC)       | RUN   | Status display LED (green)                |
| ③ | Backplane bus interface                 | ERROR | Error display LED (red)                   |
| ④ | Supply voltage via power supply element | PWR   | LED for power supply (green)              |
| ⑤ | Current output                          |       |   |

Figure 3-10 Block diagram and pin assignment for the current output



## Parameters/address space

### 4.1 Measurement types and ranges

#### Introduction

By default, the module has the voltage measurement type and the measuring range  $\pm 10$  V for the inputs. You need to reassign the module parameters with STEP 7 if you want to use a different measurement type or range.

Deactivate the input if it is not going to be used. The module cycle time is shortened and the interference factors that lead to failure of the module (for example, triggering a hardware interrupt) are avoided.

#### Measurement types and ranges

The following table shows the measurement types and the respective measuring range.

Table 4- 1 Measurement types and measuring ranges

Measurement type	Measuring range	Representation of analog values
Voltage	$\pm 50$ mV $\pm 80$ mV $\pm 250$ mV $\pm 500$ mV $\pm 1$ V $\pm 2.5$ V 1 V to 5 V $\pm 5$ V $\pm 10$ V	See Representation of analog values in voltage measuring ranges (Page 79)
Current 2WMT (2-wire transmitter)	4 mA to 20 mA	See Representation of analog values in the current measuring ranges (Page 80)
Current 4WMT (4-wire transmitter)	0 mA to 20 mA 4 mA to 20 mA $\pm 20$ mA	
Resistor (2-wire connection)	PTC	
Resistor (3-wire connection)	150 $\Omega$ 300 $\Omega$	
Resistor (4-wire connection)	600 $\Omega$ 6000 $\Omega$	

4.1 Measurement types and ranges

Measurement type	Measuring range	Representation of analog values
Thermal resistor RTD (3-wire connection) (4-wire connection)	PT100 Standard/Climate PT200 Standard/Climate PT500 Standard/Climate PT1000 Standard/Climate Ni100 Standard/Climate Ni1000 Standard/Climate LG-Ni1000 Standard/Climatic	See Representation of the analog values of resistance-based sensors/resistance thermometers (Page 81)
Thermocouple (TC)	Type B Type E Type J Type K Type N Type R Type S Type T	See Representation of analog values for thermocouples (Page 84)
Disabled	-	

The tables of the input ranges, overflow, underrange, etc. are available in the appendix Representation of input ranges (Page 78).

**Special features for the use of PTC resistors**

PTC resistors are suitable for temperature monitoring of electrical devices, such as motors, drives, and transformers.

Use Type A PTC resistors (PTC thermistor) in accordance with DIN/VDE 0660, part 302. In doing so, follow these steps:

1. Choose "Resistor (2-wire terminal)" and "PTC" in STEP 7.
2. Connect the PTC using 2-wire connection technology.

If you enable the "Underflow" diagnostics in STEP 7, it will be signaled for resistance values <18 Ω. In this case, this diagnostic signifies "Short-circuit in the wiring".

The figure below shows the address space assignment for AI 4xU/I/RTD/TC/ AQ 2xU/I ST with PTC resistors.

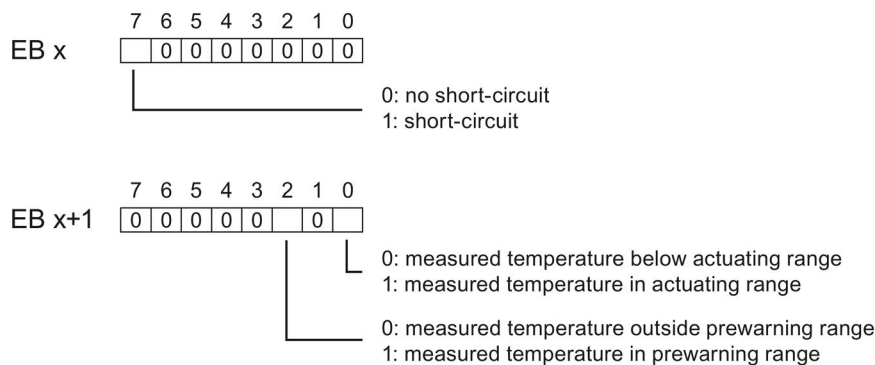


Figure 4-1 Address space for AI 4xU/I/RTD/TC/ AQ 2xU/I ST with PTC resistors

The diagram below shows the temperature profile and the corresponding switching points.

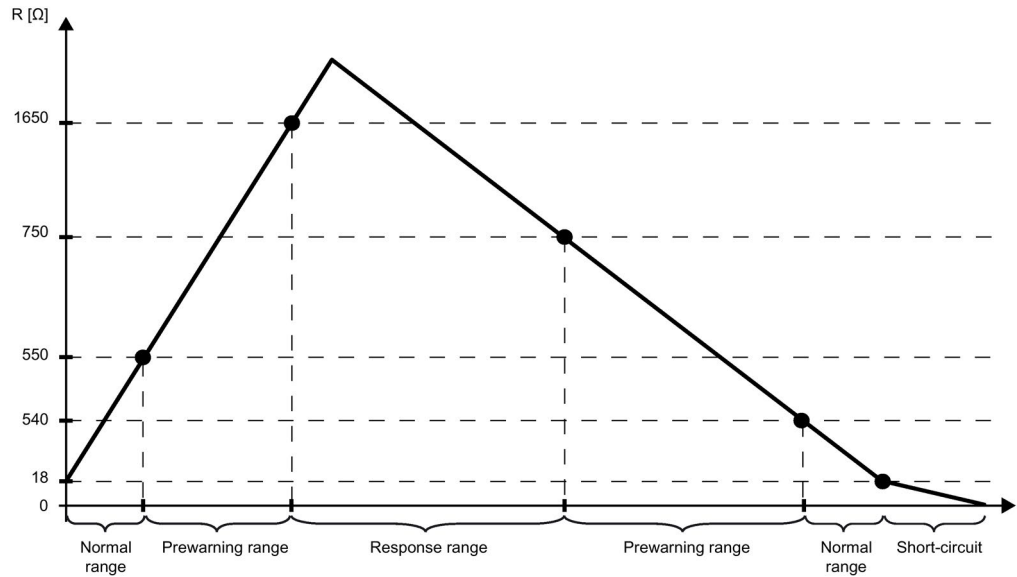


Figure 4-2 Temperature profile and the corresponding switching points

### Special features of the measured value acquisition with PTC resistors

If faults occur (for example supply voltage L+ missing) that make it impossible to acquire measured values with PTC resistors, the corresponding channels (IB x/IB x+1) report overflow (7FFF<sub>H</sub>). If the value status (QI) is enabled, the value 0 = incorrect is output in the corresponding bit.

## 4.2 Output type and output ranges

### Introduction

The module is set to voltage output type for the outputs by default with output range  $\pm 10$  V. You need to edit the module parameters with STEP 7 if you want to use a different output range or output type.

### Output types and output ranges

The following table shows the output type and the respective output ranges.

Table 4- 2 Output type and output ranges

Output type	Output range	Representation of analog values
Voltage	1 V to 5 V 0 V to 10 V $\pm 10$ V	See Representation of analog values in the voltage output ranges (Page 89)
Current	0 mA to 20 mA 4 mA to 20 mA $\pm 20$ mA	See Representation of analog values in the current output ranges (Page 90)
Disabled	-	-

The tables of the output ranges, nominal range, overrange, etc. are provided in the appendix Representation of output ranges (Page 88).

## 4.3 Parameters

### AI 4xU//RTD/TC/ AQ 2xU/I ST parameters

When you assign the module parameters in STEP 7, you use various parameters to specify the module properties. The following table lists the configurable parameters. The effective range of the configurable parameters depends on the type of configuration. The following configurations are possible:

- Central operation with a S7-1500 CPU
- Distributed operation on PROFINET IO in an ET 200MP system
- Distributed operation on PROFIBUS DP in an ET 200MP system

When assigning parameters in the user program, use the WRREC instruction to transfer the parameters to the module by means of data records; refer to the section Parameter assignment and structure of the parameter data records (Page 62).

The following parameter settings are possible:

Table 4-3 Configurable parameters and their defaults

Parameters	Range of values	Default setting	Reconfiguration in RUN	Scope with configuration software, e.g., STEP 7 (TIA Portal)	
				Integrated in the hardware catalog STEP 7, as of V13 or GSD file PROFIBUS DP	GSD file PROFIBUS DP
<b>Inputs</b>					
<b>Diagnostics</b>					
• No supply voltage L+	Yes/No	No	Yes	Channel <sup>1)</sup>	Module <sup>3)</sup>
• Overflow	Yes/No	No	Yes	Channel	Module <sup>3)</sup>
• Underflow	Yes/No	No	Yes	Channel	Module <sup>3)</sup>
• Common mode error	Yes/No	No	Yes	Channel	Module <sup>3)</sup>
• Reference junction	Yes/No	No	Yes	Channel	Module <sup>3)</sup>
• Wire break	Yes/No	No	Yes	Channel	Module <sup>3)</sup>
• Current limit for wire break diagnostics <sup>2)</sup>	1.185 mA or 3.6 mA	1.185 mA	Yes	Channel	--- <sup>4)</sup>

4.3 Parameters

Parameters	Range of values	Default setting	Reconfiguration in RUN	Scope with configuration software, e.g., STEP 7 (TIA Portal)	
				Integrated in the hardware catalog STEP 7, as of V13 or GSD file PROFINET IO	GSD file PROFIBUS DP
<b>Measuring</b>					
• Measurement type	See section Measurement types and ranges (Page 25)	Voltage	Yes	Channel	Channel
• Measuring range		±10 V	Yes	Channel	Channel
• Temperature coefficient	Pt: 0.003851 Pt: 0.003902 Pt: 0.003916 Pt: 0.003920 Ni: 0.00618 Ni: 0.00672 LG-Ni: 0.005000	0.003851	Yes	Channel	Channel
• Temperature unit	<ul style="list-style-type: none"> <li>• Kelvin (K)</li> <li>• Fahrenheit (°F)</li> <li>• Celsius (°C)</li> </ul>	°C	Yes	Channel	Module
• Reference junction	<ul style="list-style-type: none"> <li>• Fixed reference temperature</li> <li>• Dynamic reference temperature</li> <li>• Internal reference junction</li> </ul>	Internal reference junction	Yes	Channel	Module <sup>4)</sup> <ul style="list-style-type: none"> <li>• Dynamic reference temperature</li> <li>• Internal reference junction</li> </ul>
• Fixed reference temperature	Temperature	25 °C	Yes	Channel	--- <sup>4)</sup>
• Interference frequency suppression	400 Hz 60 Hz 50 Hz 10 Hz	50 Hz	Yes	Channel	Module
• Smoothing	No- ne/low/medium/high	None	Yes	Channel	Channel

Parameters	Range of values	Default setting	Reconfiguration in RUN	Scope with configuration software, e.g., STEP 7 (TIA Portal)	
				Integrated in the hardware catalog STEP 7, as of V13 or GSD file PROFINET IO	GSD file PROFIBUS DP
<b>Hardware interrupts</b>					
• Hardware interrupt low limit 1	Yes/No	No	Yes	Channel	--- <sup>4)</sup>
• Hardware interrupt high limit 1	Yes/No	No	Yes	Channel	--- <sup>4)</sup>
• Hardware interrupt low limit 2	Yes/No	No	Yes	Channel	--- <sup>4)</sup>
• Hardware interrupt high limit 2	Yes/No	No	Yes	Channel	--- <sup>4)</sup>
<b>Outputs</b>					
<b>Diagnostics</b>					
• No supply voltage L+	Yes/No	No	Yes	Channel <sup>1)</sup>	Module <sup>3)</sup>
• Wire break	Yes/No	No	Yes	Channel	Module <sup>3)</sup>
• Short-circuit to ground	Yes/No	No	Yes	Channel	Module <sup>3)</sup>
• Overflow	Yes/No	No	Yes	Channel	Module <sup>3)</sup>
• Underflow	Yes/No	No	Yes	Channel	Module <sup>3)</sup>
<b>Output parameters</b>					
• Output type	See section Output type and output ranges (Page 28)	Voltage	Yes	Channel	Channel
• Output range		±10 V	Yes	Channel	Channel
• Reaction to CPU STOP	<ul style="list-style-type: none"> <li>• Turn off</li> <li>• Keep last value</li> <li>• Output substitute value</li> </ul>	Turn off	Yes	Channel	Channel

4.3 Parameters

Parameters	Range of values	Default setting	Reconfiguration in RUN	Scope with configuration software, e.g., STEP 7 (TIA Portal)	
				Integrated in the hardware catalog STEP 7, as of V13 or GSD file PROFINET IO	GSD file PROFIBUS DP
<ul style="list-style-type: none"> <li>Substitute value</li> </ul>	Must be in the valid voltage/current output range; see table Valid substitute value for the output range	0	Yes	Channel	Channel

- 1) If you enable diagnostics for multiple channels, you will receive an alarm surge on failure of the supply voltage because each enabled channel will detect this fault. You can prevent this alarm surge by assigning the diagnostics function to one channel only.
- 2) When "Wire break" diagnostics is disabled, the current limit of 1.185 mA is applied to the value status. For measured values below 1.185 mA, the value status is always: 0 = fault.
- 3) You can set the effective range of the diagnostics for each channel in the user program with data records 0 to 3.
- 4) You can set the current limit for wire break diagnostics, the setting "Fixed reference temperature" as well as the limits for hardware interrupts in the user program with data records 0 to 3.

**Short-circuit detection**

The diagnostics for short circuit to ground can be configured for the voltage output type. A short-circuit detection is not possible for small output values; the output voltages must therefore be below -0.1 V or above +0.1 V.

**Wire break detection**

The diagnostics for wire break can be configured for the current output type. Wire break detection is not possible for small output values; the output voltages must therefore be below -0.2 mA or above +0.2 mA.



## 4.4 Explanation of parameters

### Missing supply voltage L+

Enabling of the diagnostics, with missing or too little supply voltage L+.

### Overflow

Enabling of the diagnostics when the measured value or output value violates the overrange.

### Underflow

Enabling of the diagnostics when the measured value or output value violates the underrange.

### Common mode error

Enabling of diagnostics if the valid common mode voltage is exceeded.

Enable the Common mode error diagnostics when 2WMT is connected, for example, to check for a short circuit to ground<sub>ANA</sub> or a wire break. If you do not need the Common mode error diagnostics, disable the parameter.

### Reference junction

Enabling of the diagnostics reference junction when the TC channel has no reference temperature or incorrect reference temperature.

### Wire break

Enabling of the diagnostics if the module has no current flow or the current is too weak for the measurement at the corresponding configured input, the applied voltage is too low, or the wire to the actuator is broken.

### Current limit for wire break diagnostics

Threshold for reporting wire breaks. The value can be set to 1.185 mA or 3.6 mA, depending on the sensor used.

### Temperature coefficient

The temperature coefficient depends on the chemical composition of the material. In Europe, only one value is used per sensor type (default value).

The temperature coefficient ( $\alpha$  value) indicates by how much the resistance of a specific material changes relatively if the temperature increases by 1 °C.

The further values facilitate a sensor-specific setting of the temperature coefficient and enhance accuracy.

### Reference junction

The following settings can be configured for the reference junction parameter:

Table 4- 4 Possible settings for the reference junction parameter

Setting	Description
Fixed reference temperature	The reference junction temperature is configured and stored in the module as a fixed value.
Dynamic reference temperature	The reference junction temperature is transferred in the user program from the CPU to the module by data records 192 to 195 using the WRREC (SFB 53) instruction.
Internal reference junction	The reference junction temperature is determined using an integrated sensor of the module.

### Interference frequency suppression

At analog input modules, this suppresses interference caused by the frequency of the AC network.

The frequency of the AC network may corrupt measurements, particularly in the low voltage ranges and when thermocouples are being used. For this parameter, the user defines the mains frequency prevailing on his system.

## Smoothing

The individual measured values are smoothed using filtering. The smoothing can be set in 4 levels.

Smoothing time = number of module cycles (k) x cycle time of the module.

The following figure shows the number of module cycles after which the smoothed analog value is almost 100%, depending on the set smoothing. It is valid for each signal change at the analog input.

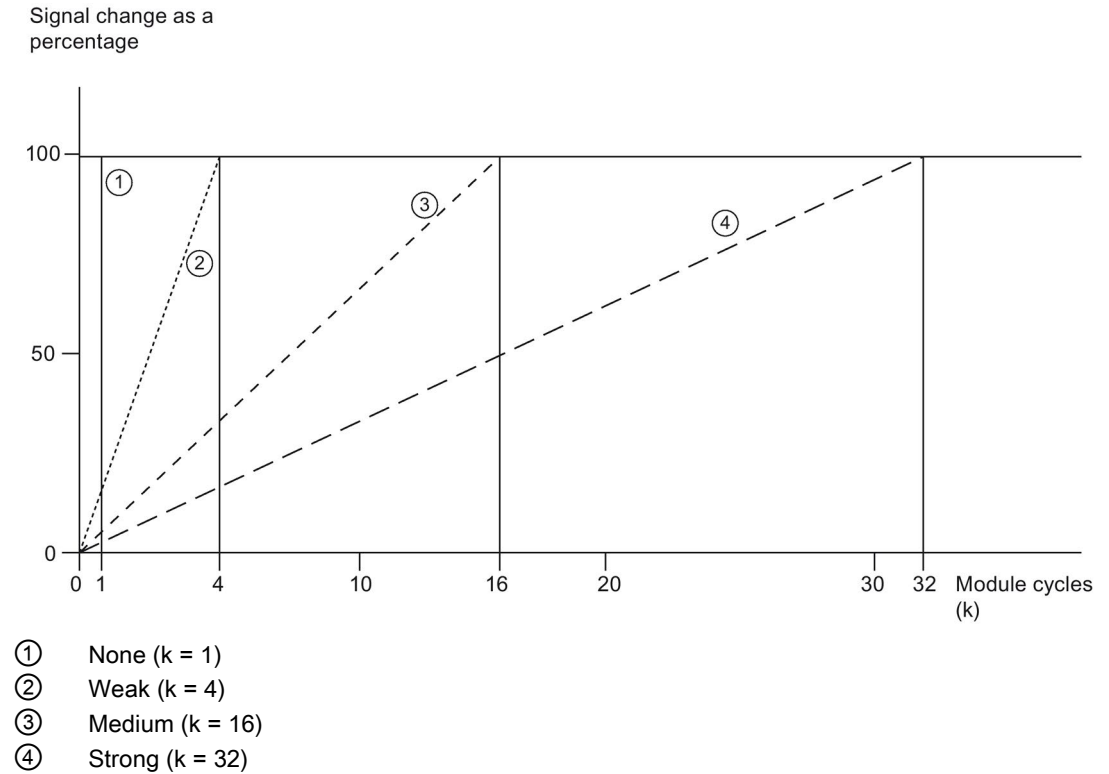


Figure 4-3 Smoothing with AI 4xU//RTD/TC/ AQ 2xU/I ST

## Hardware interrupt 1 or 2

Enabling of a hardware interrupt at violation of high limit 1 or 2 or low limit 1 or 2.

## Low limit 1 or 2

Specifies the low limit threshold that triggers hardware interrupt 1 or 2.

## High limit 1 or 2

Specifies the high limit threshold that triggers hardware interrupt 1 or 2.

**Short-circuit to ground**

Enabling of the diagnostics if a short-circuit of the output to M<sub>ANA</sub> occurs.

**Reaction to CPU STOP**

Determines the reaction of the output to the CPU going into STOP state.

**Substitute value**

The substitute value is the value that the module outputs in case of a CPU STOP.

## 4.5 Address space

The module can be configured differently in STEP 7; see following table. Depending on the configuration, additional/different addresses are assigned in the process image input/output.

### Configuration options of AI 4xU/I/RTD/TC/ AQ 2xU/I ST

You can configure the module with STEP 7 (TIA Portal) or with a GSD file.

When you configure the module by means of the GSD file, the configurations are available under different abbreviations/module names.

The following configurations are possible:

Table 4- 5 Configuration options

Configuration	Short designation/module name in the GSD file	Configuration software, e.g., with STEP 7 (TIA Portal)	
		Integrated in hardware catalog STEP 7 (TIA Portal)	GSD file in STEP 7 (TIA Portal) V12 or higher or STEP 7 V5.5 SP3 or higher
1 x 6-channel without value status	AI 4xU/I/RTD/TC/ AQ 2xU/I ST	V13 or higher with HSP 0102	X
1 x 6-channel with value status	AI 4xU/I/RTD/TC/ AQ 2xU/I ST QI	V13 or higher with HSP 0102	X
6 x 1-channel without value status	AI 4xU/I/RTD/TC/ AQ 2xU/I ST S	V13 Update 3 or higher (PROFINET IO only)	X (PROFINET IO only)
6 x 1-channel with value status	AI 4xU/I/RTD/TC/ AQ 2xU/I ST S QI	V13 Update 3 or higher (PROFINET IO only)	X (PROFINET IO only)
1 x 6-channel with value status with up to 4 submodules (1 x 4-channel for module-internal Shared Input and 1 x 2-channel for module-internal Shared Output)	AI 4xU/I/RTD/TC/ AQ 2xU/I ST MSI or MSO	V13 Update 3 or higher (PROFINET IO only)	X (PROFINET IO only)

**Value status (Quality Information, QI)**

The value status is always activated for the following module names:

- AI 4xU/I/RTD/TC/ AQ 2xU/I ST QI
- AI 4xU/I/RTD/TC/ AQ 2xU/I ST S QI
- AI 4xU/I/RTD/TC/ AQ 2xU/I ST MSI

An additional bit is assigned to each channel for the value status. The value status bit indicates

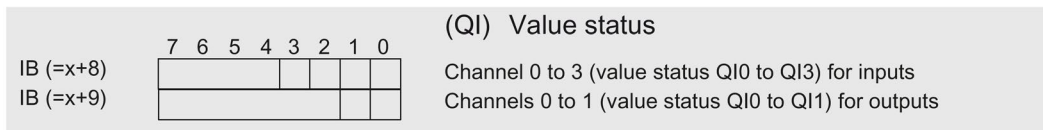
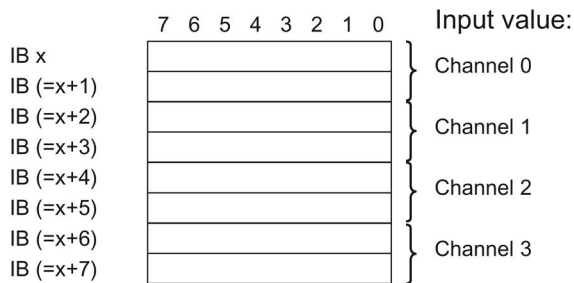
- whether the read in digital value is valid. (0 = value is incorrect).
- whether the output value specified by the user program is actually pending at the module terminal (0 = value is incorrect).

**Address space for configuration as 1 x 6-channel AI 4xU/I/RTD/TC/ AQ 2xU/I ST QI**

The figure below shows the address space assignment for configuration as a 1 x 6-channel module. You can freely assign the start address for the module. The addresses of the channels are derived from the start address.

"IB x" for example, stands for module start address input byte x. "QB x" for example, stands for module start address output byte x.

Assignment in the process image input (PII)



0= Value at the channel is incorrect

Assignment in the process image output (PIQ)

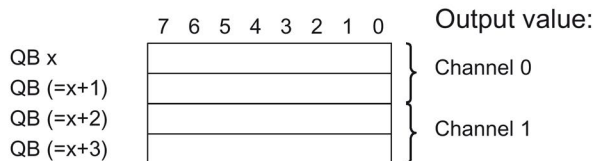


Figure 4-4 Address space for configuration as 1 x 6-channel AI 4xU/I/RTD/TC/ AQ 2xU/I ST QI with value status

### Address space for configuration as 6 x 1-channel AI 4xU/I/RTD/TC/ AQ 2xU/I ST S QI

The channels of the module are divided up into several submodules with configuration as 6 x 1-channel module. The submodules can be assigned to different IO controllers when the module is used in a shared device.

The number of usable IO controllers depends on the interface module used. Please observe the information in the manual for the particular interface module.

Unlike the 1 x 6-channel module configuration, each of the six submodules has a freely assignable start address.

4.5 Address space

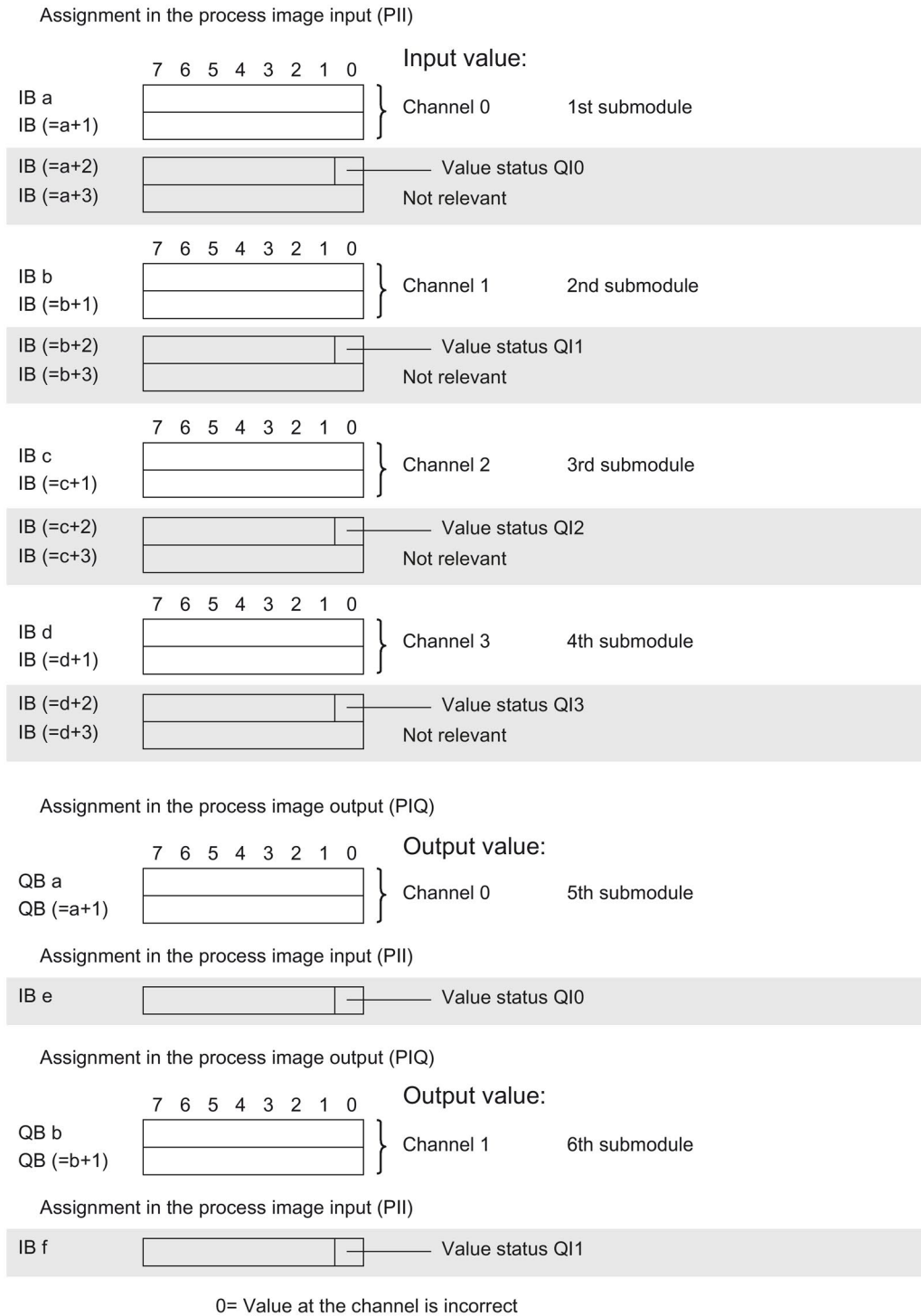


Figure 4-5 Address space for configuration as 6 x 1-channel AI 4xU/I/RTD/TC/ AQ 2xU/I ST S QI with value status



## Address space for configuration as 1 x 6-channel AI 4xU/I/RTD/TC/ AQ 2xU/I ST MSI/MSO

For the configuration as a 1 x 6-channel module (module-internal Shared Input, MSI/Shared Output, MSO), the channels for inputs 0 to 3 and outputs 0 to 1 of the module are copied to 4 submodules. Each of the input/output channels are then available with identical values in various submodules. These submodules can be assigned to up to four IO controllers when the module is used in a shared device.

- The IO controller to which submodule 1 is assigned has write access to output channels 0 and 1 and read access to the input channels 0 to 3.
- The IO controllers to which submodule 2, 3 or 4 is assigned have read access to output channels 0 and 1 and read access to the input channels 0 to 3.

The number of usable IO controllers depends on the interface module used. Please observe the information in the manual for the particular interface module.

### Value status (Quality Information, QI) for inputs

The meaning of the value status depends on the submodule on which it occurs.

For the 1st submodule (= basic submodule), the value status 0 indicates that the value is incorrect.

For the 2nd to 4th submodule (=MSI submodule), the value status 0 indicates that the value is incorrect or the basic submodule has not yet been configured (not ready).

### Value status (Quality Information, QI) for outputs

The meaning of the value status depends on the submodule on which it occurs.

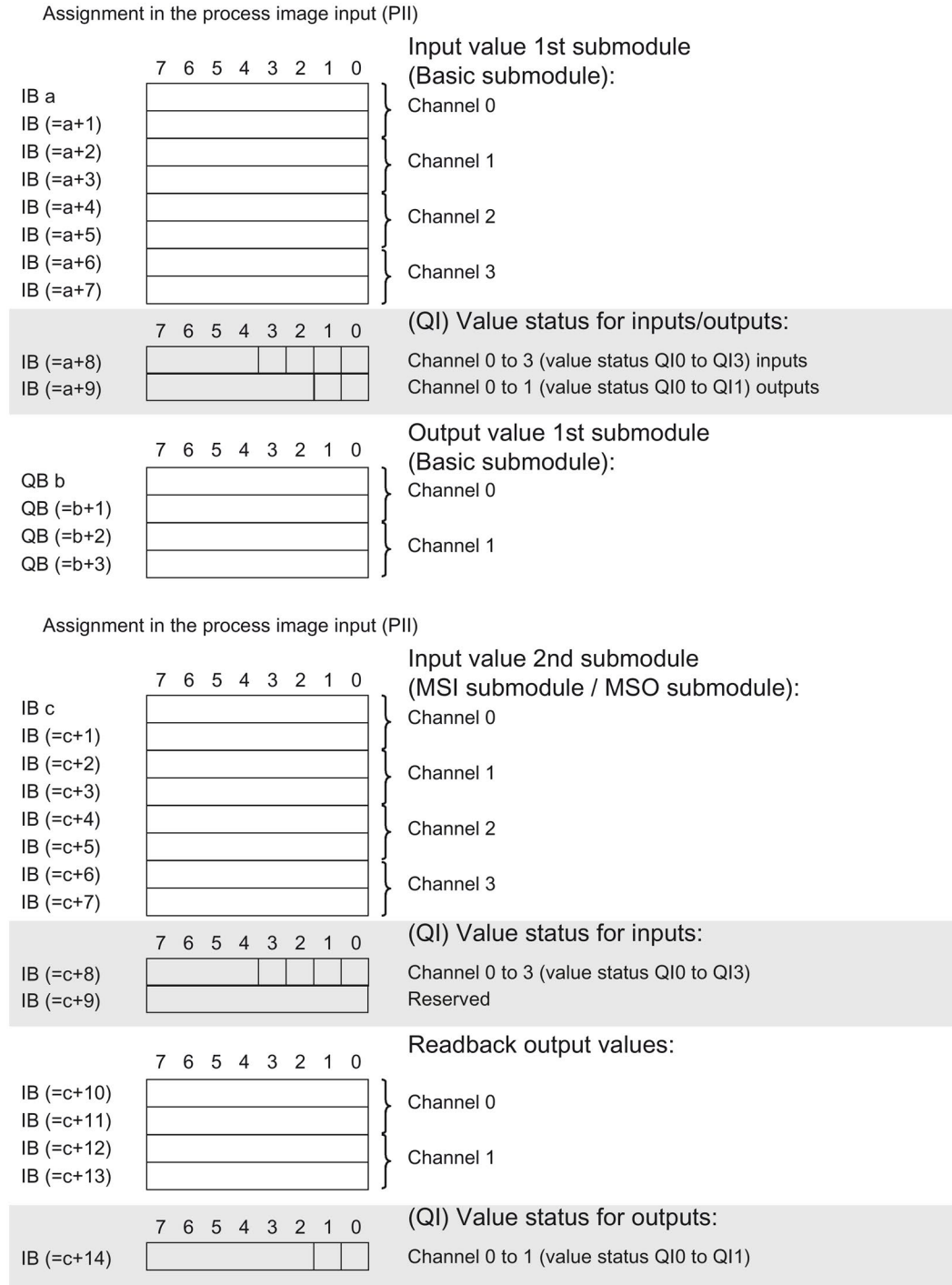
For the 1st submodule (=basic submodule), the value status 0 indicates that the value is incorrect or that the IO controller of the basic submodule is in STOP state.

For the 2nd to 4th submodule (=MSO submodule), the value status 0 indicates that the value is incorrect or one of the following errors has occurred:

- The basic submodule is not yet configured (not ready).
- The connection between the IO controller and the basic submodule has been interrupted.
- The IO controller of the basic submodule is in STOP or POWER OFF state.

4.5 Address space

The figure below shows the assignment of the address space with submodules 1 and 2.



0= Value at the channel is incorrect

Figure 4-6 Address space for configuration as 1 x 6-channel AI 4xU/I/RTD/TC/ AQ 2xU/I ST MSI/MSO with value status

The following figure shows the assignment of the address space with submodule 3 and 4.

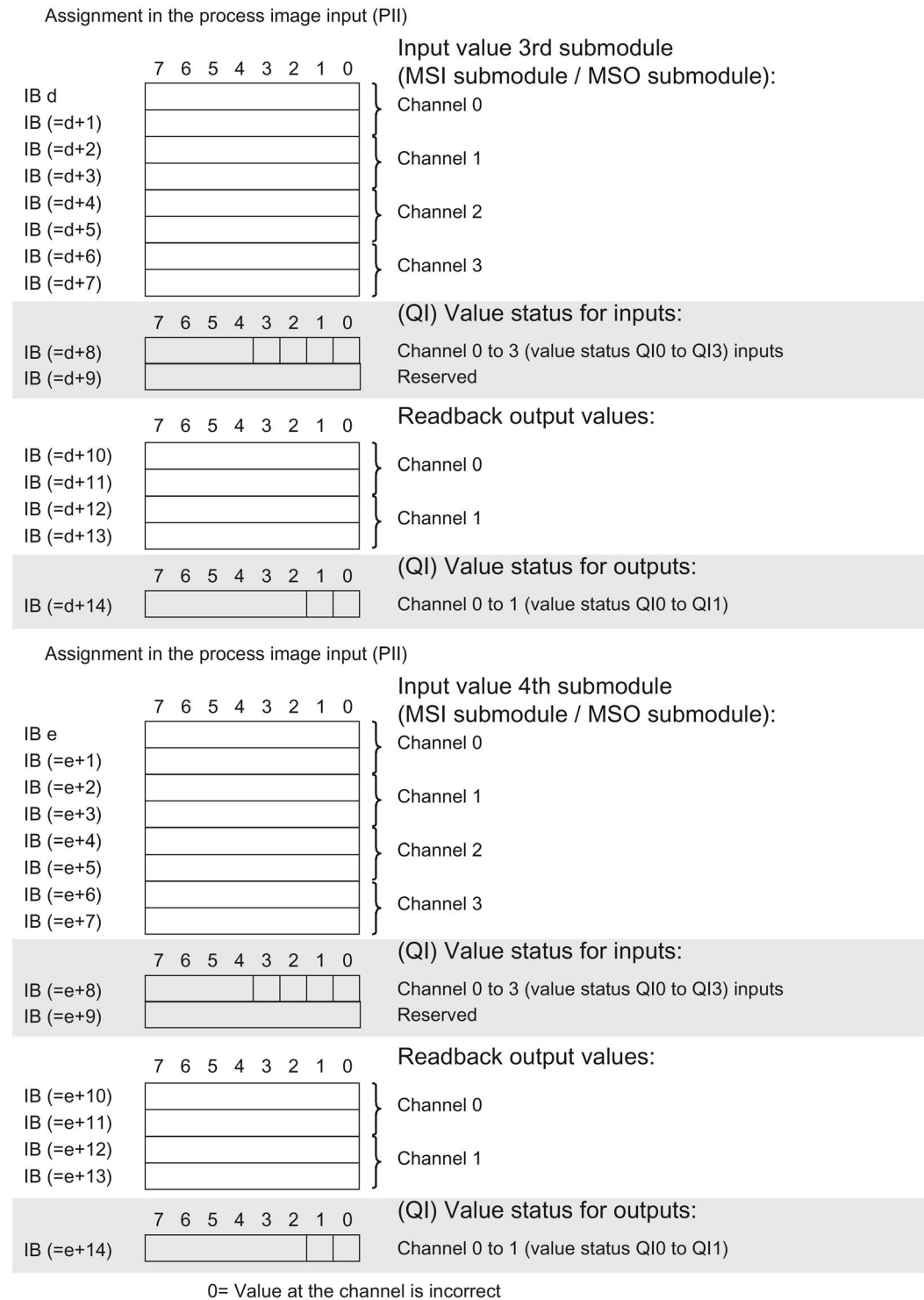


Figure 4-7 Address space for configuration as 1 x 6-channel AI 4xU//RTD/TC/ AQ 2xU// ST MSI/MSO with value status

## **Reference**

You can find information on the Shared Input/Output (MSI/MSO) function in the section Module-Internal Shared Input/Output (MSI/MSO) of the PROFINET with STEP 7 V13 (<https://support.industry.siemens.com/cs/ww/en/view/49948856>) function manual.

## Interrupts/diagnostics alarms

### 5.1 Status and error displays

#### LED displays

The figure below shows the LED displays (status and error displays) of AI 4xU/I/RTD/TC/ AQ2xU/I ST.

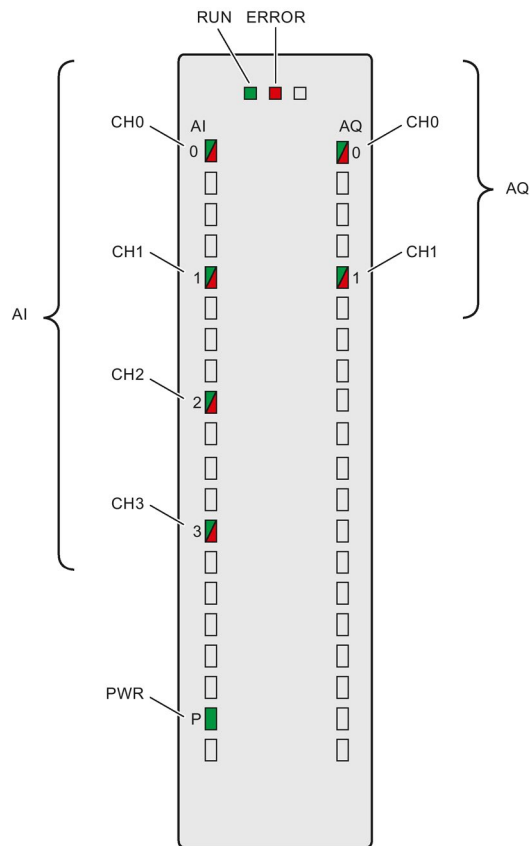


Figure 5-1 LED displays of the module AI 4xU/I/RTD/TC/ AQ2xU/I ST

**Meaning of the LED displays**

The following tables explain the meaning of the status and error displays. Corrective measures for diagnostics alarms can be found in the section Diagnostics alarms (Page 49).

**LED RUN/ERROR**

Table 5- 1 RUN/ERROR status and error displays

LEDs		Meaning	Solution
RUN	ERROR		
□ Off	□ Off	Voltage missing or too low at backplane bus.	<ul style="list-style-type: none"> <li>Switch on the CPU and/or the system power supply modules.</li> <li>Verify that the U connectors are inserted.</li> <li>Check to see if too many modules are inserted.</li> </ul>
⚡ Flashes	□ Off	The module starts and flashes until the valid configuration is set.	---
■ On	□ Off	Module is configured.	---
■ On	⚡ Flashes	Indicates module errors (at least one error at one channel, e.g., wire break).	Evaluate the diagnostics data and eliminate the error (e.g., wire break).
⚡ Flashes	⚡ Flashes	Hardware defective.	Replace the module.

**PWR LED**

Table 5- 2 PWR status display

LED PWR	Meaning	Solution
□ Off	Supply voltage L+ to module too low or missing	Check supply voltage L+.
■ On	Supply voltage L+ is present and OK.	---

**CHx LED**

Table 5- 3 CHx status display

LED CHx	Meaning	Solution
□ Off	Channel disabled.	---
■ On	Channel configured and OK.	---
■ On	Channel is configured (channel error pending). Diagnostics alarm: e.g. wire break	Check the wiring. Disable diagnostics.

## 5.2 Interrupts

Analog input module AI 4xU/I/RTD/TC/ AQ 2xU/I ST supports diagnostics and hardware interrupts.

You can find detailed information on the event in the error organization block with the "RALRM" instruction (read additional interrupt info) and in the STEP 7 online help.

### Diagnostic interrupt

The module generates a diagnostic interrupt at the following events:

Table 5- 4 Diagnostics interrupt for inputs and outputs

Event	Diagnostic interrupt	
	Inputs	Outputs
Missing supply voltage L+	x	x
Overflow	x	x
Underflow	x	x
Common mode error	x	---
Reference junction	x	---
Wire break	x	x
Short-circuit to ground	---	x
Parameter assignment error	x	x

### Hardware interrupt for inputs

The module generates a hardware interrupt at the following events:

- Low limit violated 1
- High limit violated 1
- Low limit violated 2
- Above high limit 2

5.2 Interrupts

The module channel that triggered the hardware interrupt is entered in the start information of the organization block. The diagram below shows the assignment to the bits of double word 8 in local data.

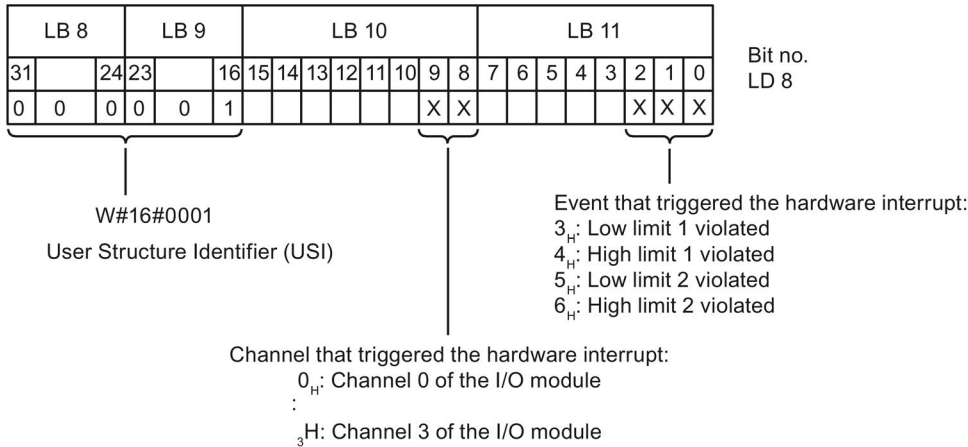


Figure 5-2 OB start information

**Reaction when reaching limits 1 and 2 at the same time**

If the two high limits 1 and 2 are reached at the same time, the module always signals the hardware interrupt for high limit 1 first. The configured value for high limit 2 is irrelevant. After processing the hardware interrupt for high limit 1, the module triggers the hardware interrupt for high limit 2.

The module has the same reaction when the low limits are reached at the same time. If the two low limits 1 and 2 are reached at the same time, the module always signals the hardware interrupt for low limit 1 first. After processing the hardware interrupt for low limit 1, the module triggers the hardware interrupt for low limit 2.

**Structure of the additional interrupt information**

Table 5- 5 Structure of USI = W#16#0001

Data block name	Contents	Remark	Bytes
<b>USI</b> (User Structure Identifier)	W#16#0001	Additional interrupt info for hardware interrupts of the I/O module	2
The channel that triggered the hardware interrupt follows.			
<b>Channel</b>	B#16#00 to B#16#n	Number of the event-triggering channel (n = number of module channels -1)	1
The event that triggered the hardware interrupt follows.			
<b>Event</b>	B#16#03	Low limit violated 1	1
	B#16#04	High limit violated 1	
	B#16#05	Low limit violated 2	
	B#16#06	Violation of high limit 2	



## 5.3 Diagnostics alarms

A diagnostics alarm is generated and the ERROR LED flashes on the module for each diagnostics event. The diagnostics alarms can be read out in the diagnostics buffer of the CPU, for example. You can evaluate the error codes with the user program.

Table 5- 6 Diagnostics alarms, their meaning and corrective measures

Diagnostics alarm	Error code	Meaning	Solution
Short-circuit to ground	1 <sub>H</sub>	Overload at output	Eliminate overload
		Short-circuit of output Q <sub>V</sub> to M <sub>ANA</sub>	Eliminate the short-circuit
Wire break	6 <sub>H</sub>	Impedance of encoder circuit too high	Use a different encoder type or modify the wiring, for example, using cables with larger cross-section
		Wire break between the module and sensor	Connect the cable
		Channel not connected (open)	<ul style="list-style-type: none"> <li>• Disable diagnostics</li> <li>• Connect the channel</li> </ul>
Overflow	7 <sub>H</sub>	Measuring range violated	Check the measuring range
		The output value set by the user program violates the valid rated range/overrange	Correct the output value
Underflow	8 <sub>H</sub>	Measuring range violated	Check the measuring range
		The output value set by the user program violates the valid rated range/underrange	Correct the output value
Parameter assignment error	10 <sub>H</sub>	<ul style="list-style-type: none"> <li>• The module cannot evaluate parameters for the channel</li> <li>• Incorrect parameter assignment</li> </ul>	Correct the parameter assignment
Load voltage missing	11 <sub>H</sub>	Supply voltage L+ of the module is missing	Connect supply voltage L+ to module/channel
Reference channel error	15 <sub>H</sub>	Reference temperature of the reference junction for the operated TC channel with compensation is invalid.	Check the resistance thermometer. For the compensation with data record, restore communication to the module/station.
Common mode error	118 <sub>H</sub>	Valid common mode voltage exceeded Causes when a 2WT is connected, e.g.: <ul style="list-style-type: none"> <li>• Wire break</li> <li>• Galvanic connection to M<sub>ANA</sub></li> </ul>	Check the wiring, e.g. sensor ground connections, use equipotential cables
Channel temporarily unavailable	1F <sub>H</sub>	User calibration is active. Channel currently not providing current/valid values.	Exit user calibration.

### **Diagnostics alarms with value status (QI)**

If you configure the module with value status (QI), the module always checks all errors even if the respective diagnostics is not enabled. But the module cancels the inspection as soon as it detects the first error, regardless if the respective diagnostics has been enabled or not. The result may be that enabled diagnostics may not be displayed.

**Example:** You have enabled "Underflow" diagnostics, but the module detects the "Wire break" diagnostics first and aborts after this error message. The "Underflow" diagnostics is not detected.

**Recommendation:** To ensure that all errors can be diagnosed reliably, select all check boxes under "Diagnostics".

## Technical specifications

### Technical specifications of the AI 4xU/I/RTD/TC/ AQ 2xU/I ST

	6ES7534-7QE00-0AB0
<b>General information</b>	
Product type designation	AI 4xU/I/RTD/TC / AQ 2xU/I ST
Hardware functional status	FS01
Firmware version	V1.0.0
<ul style="list-style-type: none"> <li>FW update possible</li> </ul>	Yes
<b>Product function</b>	
I&M data	Yes; I&M0 to I&M3
Scalable measuring range	No
Scalable measured values	No
Measuring range adjustment	No
Scalable output range	No
<b>Engineering with</b>	
STEP 7 TIA Portal can be configured/integrated as of version	V13 / V13.0.2
STEP 7 can be configured/integrated as of version	V5.5 SP3 / -
PROFIBUS as of GSD version/GSD revision	V1.0 / V5.1
PROFINET as of GSD version/GSD revision	V2.3 / -
<b>Operating mode</b>	
Oversampling	No
MSI	Yes
MSO	Yes
<b>CiR Configuration in RUN</b>	
Parameter assignment in RUN possible	Yes
Calibration in RUN possible	Yes
<b>Supply voltage</b>	
Rated value (DC)	24 V
Valid range, low limit (DC)	20.4 V
Valid range, high limit (DC)	28.8 V
Reverse polarity protection	Yes
<b>Input current</b>	
Current consumption, max.	200 mA; with 24 V DC supply
<b>Encoder supply</b>	
<b>24 V encoder supply</b>	
Short-circuit protection	Yes
Output current, max.	61 mA

<b>6ES7534-7QE00-0AB0</b>	
<b>Power</b>	
Power consumption from backplane bus	0.7 W
<b>Power loss</b>	
Power loss, typ.	3.3 W
<b>Analog inputs</b>	
Number of analog inputs	4
<ul style="list-style-type: none"> <li>• For current measurement</li> </ul>	4
<ul style="list-style-type: none"> <li>• For voltage measurement</li> </ul>	4
<ul style="list-style-type: none"> <li>• For resistance/resistance thermometer measurement</li> </ul>	2
<ul style="list-style-type: none"> <li>• For thermocouple measurement</li> </ul>	4
Permissible input voltage for voltage input (destruction limit), max.	28.8 V
Permissible input current for current input (destruction limit), max.	40 mA
Technical unit for temperature measurement, can be set	Yes; °C / °F / K
Analog input with oversampling	No
Standardization of measured values	No
<b>Input ranges (rated values), voltages</b>	
0 to +5 V	No
0 to +10 V	No
1 V to 5 V	Yes
Input resistance (1 V to 5 V)	100 kΩ
-1 V to +1 V	Yes
Input resistance (-1 V to +1 V)	10 MΩ
-10 V to +10 V	Yes
Input resistance (-10 V to +10 V)	100 kΩ
-2.5 V to +2.5 V	Yes
Input resistance (-2.5 V to +2.5 V)	10 MΩ
-25 mV to +25 mV	No
-250 mV to +250 mV	Yes
Input resistance (-250 mV to +250 mV)	10 MΩ
-5 V to +5 V	Yes
Input resistance (-5 V to +5 V)	100 kΩ
-50 mV to +50 mV	Yes
Input resistance (-50 mV to +50 mV)	10 MΩ
-500 mV to +500 mV	Yes
Input resistance (-500 mV to +500 mV)	10 MΩ
-80 mV to +80 mV	Yes
Input resistance (-80 mV to +80 mV)	10 MΩ

	6ES7534-7QE00-0AB0
<b>Input ranges (rated values), currents</b>	
0 mA to 20 mA	Yes
Input resistance (0 mA to 20 mA)	25 Ω; plus approx. 42 ohm for overvoltage protection by PTC
-20 mA to +20 mA	Yes
Input resistance (-20 mA to +20 mA)	25 Ω; plus approx. 42 ohm for overvoltage protection by PTC
4 mA to 20 mA	Yes
Input resistance (4 mA to 20 mA)	25 Ω; plus approx. 42 ohm for overvoltage protection by PTC
<b>Input ranges (rated values), thermocouples</b>	
Type B	Yes
Input resistance (type B)	10 MΩ
Type C	No
Type E	Yes
Input resistance (type E)	10 MΩ
Type J	Yes
Input resistance (type J)	10 MΩ
Type K	Yes
Input resistance (type K)	10 MΩ
Type L	No
Type N	Yes
Input resistance (type N)	10 MΩ
Type R	Yes
Input resistance (type R)	10 MΩ
Type S	Yes
Input resistance (type S)	10 MΩ
Type T	Yes
Input resistance (type T)	10 MΩ
Type U	No
Type TXK/TXK(L) according to GOST	No
<b>Input ranges (rated values), resistance thermometer</b>	
Cu 10	No
Cu 10 according to GOST	No
Cu 50	No
Cu 50 according to GOST	No
Cu 100	No
Cu 100 according to GOST	No
Ni 10	No
Ni 10 according to GOST	No
Ni 100	Yes; Standard/Climate
Input resistance (Ni 100)	10 MΩ
Ni 100 according to GOST	No

	6ES7534-7QE00-0AB0
Ni 1000	Yes; Standard/Climate
Input resistance (Ni 1000)	10 MΩ
Ni 1000 according to GOST	No
LG-Ni 1000	Yes; Standard/Climate
Input resistance (LG-Ni 1000)	10 MΩ
Ni 120	No
Ni 120 according to GOST	No
Ni 200	No
Ni 200 according to GOST	No
Ni 500	No
Ni 500 according to GOST	No
Pt 10	No
Pt 10 according to GOST	No
Pt 50	No
Pt 50 according to GOST	No
Pt 100	Yes; Standard/Climate
Input resistance (Pt 100)	10 MΩ
Pt 100 according to GOST	No
Pt 1000	Yes; Standard/Climate
Input resistance (Pt 1000)	10 MΩ
Pt 1000 according to GOST	No
Pt 200	Yes; Standard/Climate
Input resistance (Pt 200)	10 MΩ
Pt 200 according to GOST	No
Pt 500	Yes; Standard/Climate
Input resistance (Pt 500)	10 MΩ
Pt 500 according to GOST	No
<b>Input ranges (rated values), resistors</b>	
0 ohm to 150 ohm	Yes
Input resistance (0 ohm to 150 ohm)	10 MΩ
0 ohm to 300 ohm	Yes
Input resistance (0 ohm to 300 ohm)	10 MΩ
0 ohm to 600 ohm	Yes
Input resistance (0 ohm to 600 ohm)	10 MΩ
0 to 3000 Ohm	No
0 ohm to 6000 ohm	Yes
Input resistance (0 ohm to 6000 ohm)	10 MΩ
PTC	Yes
Input resistance (PTC)	10 MΩ

<b>6ES7534-7QE00-0AB0</b>	
<b>Thermocouple (TC)</b>	
Temperature compensation	
• Configurable	Yes
• Internal temperature compensation	Yes
• External temperature compensation via RTD	Yes
• Compensation for 0 °C reference point temperature	Yes, fixed value can be set
• Reference channel of the module	No
<b>Cable length</b>	
shielded, max.	800 m; for U/I, 200 m for R/RTD, 50 m for TC
<b>Analog outputs</b>	
Number of analog outputs	2
Voltage output, short-circuit protection	Yes
Voltage output, short-circuit current, max.	24 mA
Current output, open-circuit voltage, max.	22 V
Cycle time (all channels), min.	3.2 ms; ±0.5 ms, regardless of the number of activated channels
<b>Output ranges, voltage</b>	
0 V to 10 V	Yes
1 V to 5 V	Yes
-5 V to +5 V	No
-10 V to +10 V	Yes
<b>Output ranges, current</b>	
0 mA to 20 mA	Yes
-20 mA to +20 mA	Yes
4 mA to 20 mA	Yes
<b>Connection of actuators</b>	
for voltage output two-wire connection	Yes
for voltage output four-wire connection	Yes
for current output two-wire connection	Yes
<b>Load resistance (in the rated output range)</b>	
for voltage outputs, min.	1 kOhm; 0.5 kOhm at 1 to 5 V
for voltage outputs, capacitive load, max.	1 µF
for current outputs, max.	750 Ω
for current outputs, inductive load, max.	10 mH
<b>Cable length</b>	
shielded, max.	800 m; for current, 200 m for voltage

<b>6ES7534-7QE00-0AB0</b>	
<b>Analog value generation for the inputs</b>	
<b>Integration and conversion time/resolution per channel</b>	
Resolution with overrange (bit including sign), max.	16 bit
Configurable integration time	Yes
Integration time (ms)	2.5 / 16.67 / 20 / 100 ms
Basic conversion time including integration time (ms)	9 / 23 / 27 / 107 ms
<ul style="list-style-type: none"> <li>Additional conversion time for wire break monitoring</li> </ul>	9 ms
<ul style="list-style-type: none"> <li>Additional conversion time for wire break measurement</li> </ul>	150 Ohm, 300 Ohm, 600 Ohm, Pt100. Pt200. Ni100: 2 ms, 6000 Ohm, Pt500. Pt1000. Ni1000. LG-Ni1000. PTC: 4 ms
Interference voltage suppression at interference frequency f1 in Hz	400 / 60 / 50 / 10
Time for offset calibration (per module)	Basic conversion time of the slowest channel
<b>Smoothing of the measured values</b>	
Configurable	Yes
Level: None	Yes
Level: Weak	Yes
Level: Medium	Yes
Level: Strong	Yes
<b>Analog value generation for the outputs</b>	
<b>Integration and conversion time/resolution per channel</b>	
Resolution with overrange (bit including sign), max.	16 bit
Conversion time (per channel)	0.5 ms
<b>Settling time</b>	
for resistive load	1.5 ms
for capacitive load	2.5 ms
for inductive load	2.5 ms
<b>Encoders</b>	
<b>Connection of the signal encoders</b>	
For voltage measurement	Yes
for current measurement as 2-wire transducer	Yes
<ul style="list-style-type: none"> <li>Load of 2-wire transmitter, max.</li> </ul>	820 Ω
for current measurement as 4-wire transducer	Yes
for resistance measurement with two-wire connection	Yes; only for PTC
for resistance measurement with three-wire connection	Yes; all measuring ranges except PTC; internal compensation of line resistance
For resistance measurement with four-wire connection	Yes; all measuring ranges except PTC



<b>6ES7534-7QE00-0AB0</b>	
<b>Errors/accuracies</b>	
Linearity error (in relation to input range), (+/-)	0.02%
Temperature error (in relation to input range), (+/-)	0.005%/K; for TC typ. T 0.02 +/- %/K
Crosstalk between the inputs, max.	-80 dB
Repeat accuracy in settled state at 25 °C (in relation to input range), (+/-)	0.02%
Output ripple (in relation to output range, bandwidth 0 kHz to 50 kHz), (+/-)	0.02%
Linearity error (in relation to output range), (+/-)	0.15%
Temperature error (in relation to output range), (+/-)	0.002%/K
Crosstalk between outputs, max.	-100 dB
Repeat accuracy in settled state at 25 °C (in relation to output range), (+/-)	0.05%
Temperature errors of internal compensation	+/-6 °C
<b>Operational limit in the entire temperature range</b>	
Voltage in relation to input range, (+/-)	0.3%
Current in relation to input range, (+/-)	0.3%
Resistance in relation to input range, (+/-)	0.3%
Resistance thermometer in relation to input range, (+/-)	0.3%; Ptxxx Standard: ±1.5 K, Ptxxx Climatic: ±0.5 K, Nixxx Standard: ±0.5 K, Nixxx Climatic: ±0.3 K
Thermocouple in relation to input range, (+/-)	0.3%; Type B: > 600 °C ±4.6 K, Type E: > -200 °C ±1.5 K, Type J: > -210 °C ±1.9 K, Type K: > -200 °C ±2.4 K, Type N: > -200 °C ±2.9 K, Type R: > 0 °C ±4.7 K, Type S: > 0 °C ±4.6 K, Type T: > -200 °C ±2.4 K
Voltage in relation to output range, (+/-)	0.3%
Current in relation to output range, (+/-)	0.3%
<b>Basic error limit (operational limit at 25 °C)</b>	
Voltage in relation to input range, (+/-)	0.1%
Current in relation to input range, (+/-)	0.1%
Resistance in relation to input range, (+/-)	0.1%
Resistance thermometer in relation to input range, (+/-)	0.1%; Ptxxx Standard: ±0.7 K, Ptxxx Climatic: ±0.2 K, Nixxx Standard: ±0.3 K, Nixxx Climatic: ±0.15 K
Thermocouple in relation to input range, (+/-)	0.1%; Type B: > 600 °C ±1.7 K, Type E: > -200 °C ±0.7 K, Type J: > -210 °C ±0.8 K, Type K: > -200 °C ±1.2 K, Type N: > -200 °C ±1.2 K, Type R: > 0 °C ±1.9 K, Type S: > 0 °C ±1.9 K, Type T: > -200 °C ±0.8 K
Voltage in relation to output range, (+/-)	0.2%
Current in relation to output range, (+/-)	0.2%

<b>6ES7534-7QE00-0AB0</b>	
<b>Interference voltage suppression for <math>f = n \times (f_1 \pm 1\%)</math>, <math>f_1 =</math> interference frequency</b>	
Series mode interference (peak value of interference < rated value of input range), min.	40 dB
Common mode voltage, max.	10 V
Common mode interference, min.	60 dB
<b>Isochronous mode</b>	
Isochronous mode (application synchronized up to terminal)	No
<b>Interrupts/diagnostics/status information</b>	
Diagnostics function	Yes
Substitute values can be applied	Yes
<b>Interrupts</b>	
Diagnostic interrupt	Yes
Limit interrupt	Yes; two high limits and two low limits each
<b>Diagnostics alarms</b>	
Monitoring of supply voltage	Yes
Wire break	Yes; only for input type 1 ... 5 V, 4 ... 20 mA, TC, R, RTD and output type current
Short-circuit	Yes; only for output type voltage
Overflow/underflow	Yes
<b>Diagnostics display LED</b>	
RUN LED	Yes; green LED
ERROR LED	Yes; red LED
Monitoring of supply voltage (PWR LED)	Yes; green LED
Channel status display	Yes; green LED
For channel diagnostics	Yes; red LED
For module diagnostics	Yes; red LED
<b>Electrical isolation</b>	
<b>Electrical isolation analog inputs</b>	
Between the channels	No
Between the channels, in groups of	4
Between the channels and backplane bus	Yes
Between the channels and load voltage L+	Yes
<b>Electrical isolation analog outputs</b>	
Between the channels	No
Between the channels, in groups of	2
Between the channels and backplane bus	Yes
Between the channels and load voltage L+	Yes
<b>Permissible potential difference</b>	
Between the inputs (UCM)	20 V DC
Between the inputs and MANA (UCM)	10 V DC
between S- and MANA (UCM)	8 V DC

<b>6ES7534-7QE00-0AB0</b>	
<b>Insulation</b>	
Insulation tested with	707 V DC (type test)
<b>Ambient conditions</b>	
<b>Ambient temperature during operation</b>	
Horizontal mounting position, min.	0 °C
Horizontal mounting position, max.	60 °C
Vertical mounting position, min.	0 °C
Vertical mounting position, max.	40 °C
<b>Distributed mode</b>	
Prioritized startup	No
<b>Dimensions</b>	
Width	25 mm
Height	147 mm
Depth	129 mm
<b>Weights</b>	
Weight, approx.	250 g
<b>Miscellaneous</b>	
Note:	Package includes 40-pin push-in front connector Additional basic error and noise for integration time = 2.5 ms: Voltage: $\pm 250$ mV ( $\pm 0.02\%$ ), $\pm 80$ mV ( $\pm 0.05\%$ ), $\pm 50$ mV ( $\pm 0.05\%$ ); resistance: 150 Ohm ( $\pm 0.02\%$ ); resistance thermometer: Pt100 Climatic: $\pm 0.08$ K, Ni100 Climatic: $\pm 0.08$ K; thermocouple: Type B, R, S: $\pm 3$ K, Type E, J, K, N, T: $\pm 1$ K

# A

## Dimension drawing

The dimension drawing of the module on the mounting rail, as well as a dimension drawing with open front panel are provided in the appendix. Always adhere to the specified dimensions for installation in cabinets, control rooms, etc.

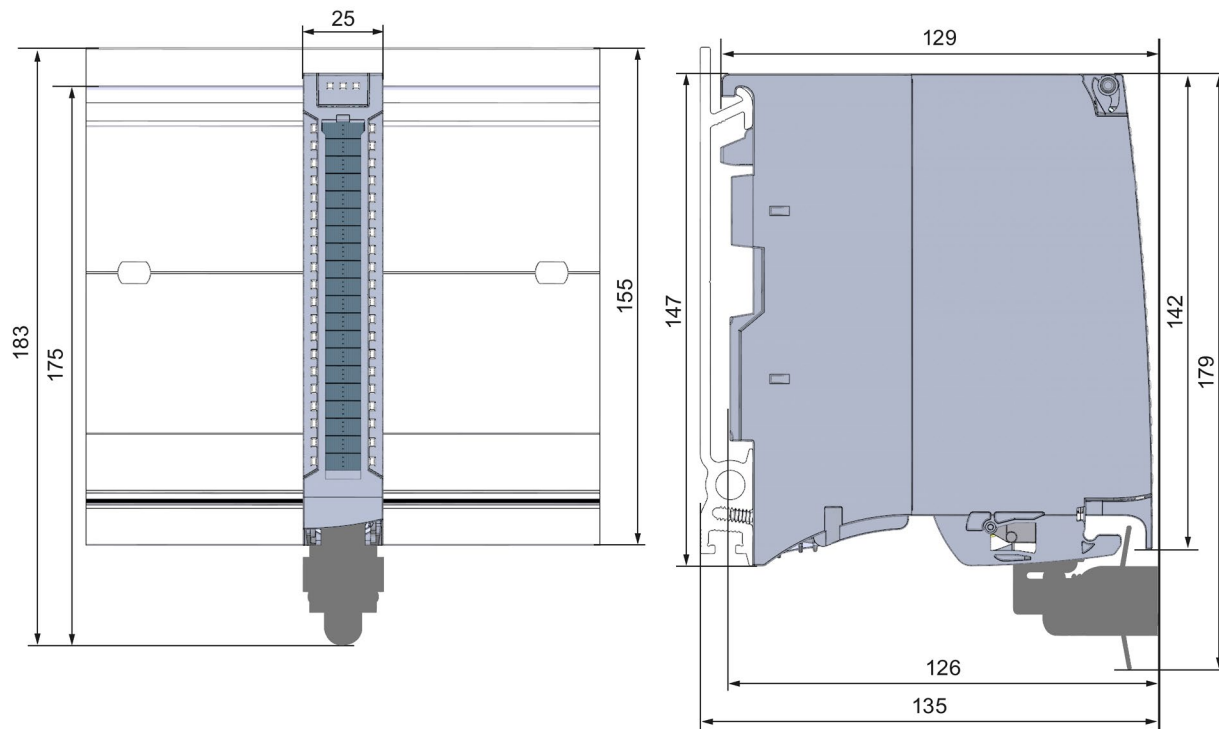


Figure A-1 Dimension drawing of the AI 4xU//RTD/TC/ AQ 2xU/I ST module

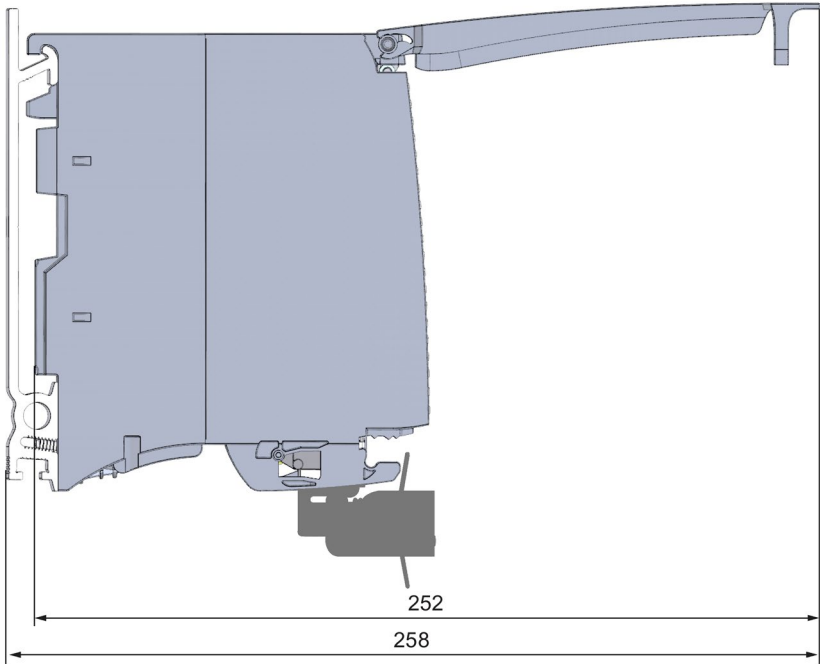


Figure A-2 Dimension drawing of the AI 4xU/I/RTD/TC/ AQ 2xU/I ST module, side view with open front panel

## Parameter data records

### B.1 Parameter assignment and structure of the parameter data records

The data records of the module have an identical structure, regardless of whether you configure the module with PROFIBUS DP or PROFINET IO.

#### Dependencies for configuration with GSD file

When configuring the module with a GSD file, remember that the settings of some parameters are dependent on each other. The parameters are only checked for plausibility by the module after the transfer to the module.

The following table lists the parameters that depend on one another.

Table B- 1 Dependencies of parameters for configuration with GSD file

Device-specific parameters (GSD file)	Dependent parameters
Current limit for wire break	Only for <b>measurement type</b> current with <b>measuring range</b> 4 mA to 20 mA.
Wire break	Only for <b>measurement type</b> resistance, thermistor RTD, thermocouple TC, voltage with <b>measuring range</b> 1V to 5 V and current with <b>measuring range</b> 4 to 20 mA.
Common mode error	Only for <b>measuring type</b> voltage, current and thermocouple TC.
Reference junction	Only for <b>measurement type</b> thermocouple TC.
<b>Measurement type</b> resistance (4-wire connection, 3-wire connection, 2-wire connection)	Configurable for even channels (0 and 2) only.
<b>Measurement type</b> thermistor RTD (4-wire connection, 3-wire connection)	The next odd channel (1 and 3) must be disabled.
Hardware interrupt limits	Only if hardware interrupts are enabled.
Fixed reference temperature	Only if the <b>Reference junction</b> parameter and the <b>Fixed reference temperature</b> value is configured.
Short-circuit to ground	With <b>output type</b> voltage only
Wire break	With <b>output type</b> current only
Substitute value	Only if <b>Reaction to CPU STOP</b> -> <b>Output substitute value</b> is configured

## Parameter assignment in the user program

The module parameters can be assigned in RUN (for example, measuring ranges of selected channels can be edited in RUN without having an effect on the other channels).

## Parameter assignment in RUN

The WRREC instruction is used to transfer the parameters to the module using data records. The parameters set with STEP 7 are not changed in the CPU, which means the parameters set in STEP 7 will be valid after a restart.

The parameters are only checked for plausibility by the module after the transfer to the module.

## Output parameter STATUS

If errors occur during the transfer of parameters with the WRREC instruction, the module continues operation with the previous parameter assignment. However, a corresponding error code is written to the STATUS output parameter.

The description of the WRREC instruction and the error codes is available in the STEP 7 online help.

## Operation of the module downstream from a PROFIBUS DP interface module

If the module is operated downstream from a IM PROFIBUS DP interface module, the parameter data records 0 and 1 cannot be read back. You get the diagnostics data records 0 and 1 for the read back parameter data records 0 and 1. You can find more information in the Interrupts section of the PROFIBUS DP interface module product manual on the Internet (<http://support.automation.siemens.com/WW/view/en/78324181>).

## B.2 Structure of a data record for input channels

### Assignment of data record and channel

For the configuration as a 1 x 4-channel module, the parameters are located in data records 0 to 3 and are assigned as follows:

- Data record 0 for channel 0
- Data record 1 for channel 1
- Data record 2 for channel 2
- Data record 3 for channel 3

For configuration 4 x 1-channel, the module has 4 submodules with one channel each. The parameters for the channel are available in data record 0 and are assigned as follows:

- Data record 0 for channel 0 (submodule 1)
- Data record 0 for channel 1 (submodule 2)
- Data record 0 for channel 2 (submodule 3)
- Data record 0 for channel 3 (submodule 4)

Address the respective submodule for data record transfer.



## Data record structure

The figure below shows the structure of data record 0 for channel 0 as an example. The structure is identical for channels 1 to 3. The values in byte 0 and byte 1 are fixed and may not be changed.

Enable a parameter by setting the corresponding bit to "1".

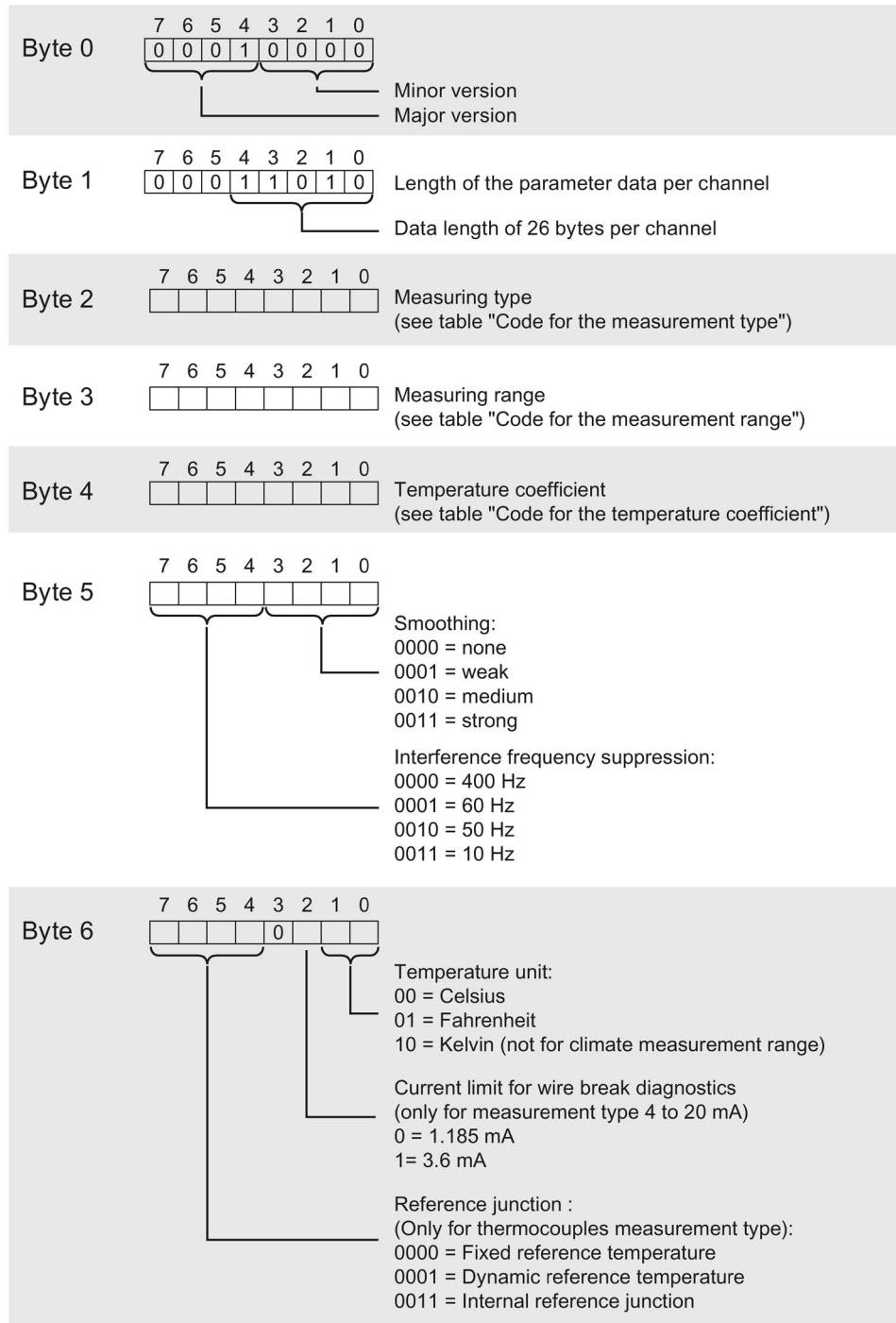
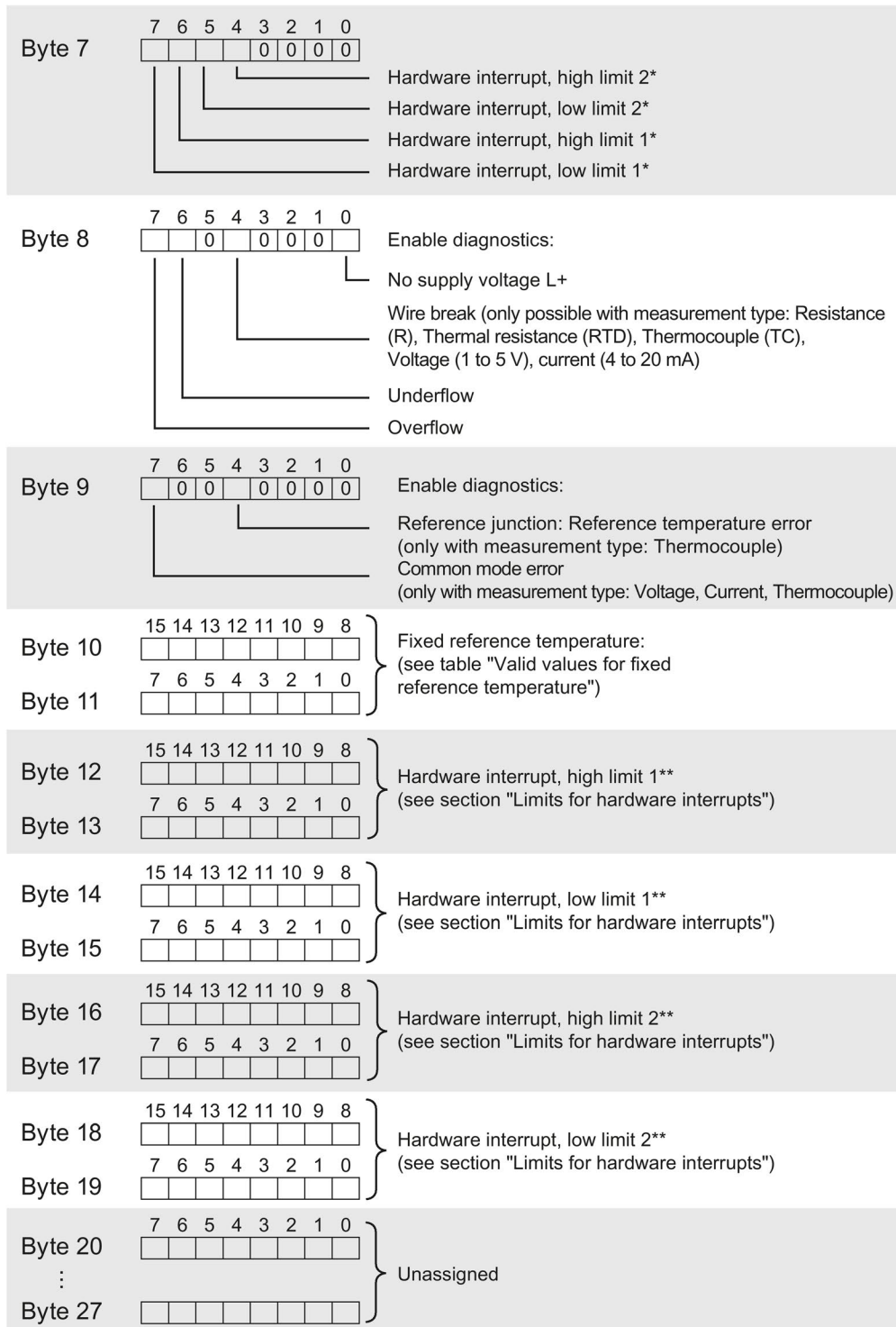


Figure B-1 Structure of data record 0: Bytes 0 to 6

B.2 Structure of a data record for input channels



\* Enabling of hardware interrupts via data record is only possible if a hardware interrupt OB is assigned to the channel in STEP 7

\*\* High limit must be greater than low limit

Figure B-2 Structure of data record 0: Bytes 7 to 27

## Codes for measurement types

The following table lists all measurement types of the analog input module along with their codes. Enter these codes at byte 2 of the data record for the corresponding channel (see the figure Structure of data record 0: Bytes 7 to 27).

Table B- 2 Code for the measurement type

Measurement type	Code
Disabled	0000 0000
Voltage	0000 0001
Current, 2-wire transmitter	0000 0011
Current, 4-wire transmitter	0000 0010
Resistance, 4-wire connection *) **)	0000 0100
Resistance, 3-wire connection *) **)	0000 0101
Resistance, 2-wire connection *) ***)	0000 0110
Thermal resistor linear, 4-wire connection *)	0000 0111
Thermal resistor linear, 3-wire connection *)	0000 1000
Thermocouple	0000 1010

\*) only possible for channels 0 and 2

\*\*) only for the following measuring ranges: 150  $\Omega$ , 300  $\Omega$ , 600  $\Omega$ , 6 k $\Omega$

\*\*\*) only for measuring range PTC

## Special feature for configuration

If you assign one of the following measurement types on channel 0 or 2, then the next channel must always be disabled.

- Resistance, 4-wire connection
- Resistance, 3-wire connection
- Resistance, 2-wire connection
- Thermal resistor linear, 4-wire connection
- Thermal resistor linear, 3-wire connection

Example:

You have configured "Resistance, 4-wire connection" at channel 0; channel 1 must be disabled. You have configured "Resistance, 2-wire connection" at channel 2; channel 3 must be disabled.

**Codes for measuring ranges**

The following table lists all measuring ranges of the analog input module along with their codes. Enter these codes accordingly at byte 3 of the data record for the corresponding channel (see the figure Structure of data record 0: Bytes 7 to 27).

Table B- 3 Code for the measuring range

Measuring range	Code
<b>Voltage</b>	
±50 mV	0000 0001
±80 mV	0000 0010
±250 mV	0000 0011
±500 mV	0000 0100
±1 V	0000 0101
±2.5 V	0000 0111
±5 V	0000 1000
±10 V	0000 1001
1 V to 5 V	0000 1010
<b>Current, 4-wire transmitter</b>	
0 mA to 20 mA	0000 0010
4 mA to 20 mA	0000 0011
±20 mA	0000 0100
<b>Current, 2-wire transmitter</b>	
4 mA to 20 mA	0000 0011
<b>Resistor</b>	
150 Ω	0000 0001
300 Ω	0000 0010
600 Ω	0000 0011
6 kΩ	0000 0101
PTC	0000 1111

<b>Thermal resistor</b>	
Pt100 Climate	0000 0000
Ni100 Climate	0000 0001
Pt100 standard	0000 0010
Ni100 standard	0000 0011
Pt500 standard	0000 0100
Pt1000 standard	0000 0101
Ni1000 standard	0000 0110
Pt200 Climate	0000 0111
Pt500 Climate	0000 1000
Pt1000 Climate	0000 1001
Ni1000 Climate	0000 1010
Pt200 standard	0000 1011
LG-Ni1000 standard	0001 1100
LG-Ni1000 Climate	0001 1101
<b>Thermocouple</b>	
B	0000 0000
N	0000 0001
E	0000 0010
R	0000 0011
S	0000 0100
J	0000 0101
T	0000 0111
K	0000 1000

### Codes for temperature coefficient

The following table lists all temperature coefficients along with their codes for temperature measurements with the thermal resistors. You must enter these codes in each case in byte 4 of the data record for the corresponding channel (refer to the figure Structure of data record 0: Bytes 0 to 6)

Table B- 4 Codes for temperature coefficient

Temperature coefficient	Code
<b>Pt xxx</b>	
0.003851	0000 0000
0.003916	0000 0001
0.003902	0000 0010
0.003920	0000 0011
<b>Ni xxx</b>	
0.006180	0000 1000
0.006720	0000 1001
<b>LG-Ni</b>	
0.005000	0000 1010

**Valid values for fixed reference temperatures**

The values that you can set for fixed reference temperatures must be in the valid range of values. The resolution is a tenth of a degree.

Table B- 5 Valid values for fixed reference temperatures

Temperature unit	Dec	Hex
Celsius (default)	-1450 to 1550	FA56 <sub>H</sub> to 60E <sub>H</sub>
Fahrenheit (default)	-2290 to 3110	F70E <sub>H</sub> to CCC <sub>H</sub>
Kelvin (default)	1282 to 3276	502 <sub>H</sub> to 10BA <sub>H</sub>

**Hardware interrupt limits**

The values that you can set for hardware interrupts (high/low limit) must not violate the over/underrange of the respective rated measuring range.

The following tables list the valid hardware interrupt limits. The limits depend on the selected measurement type and measuring range.

Table B- 6 Voltage limits

Voltage		
±50 mV, ±80 mV, ±250 mV, ±500 mV, ±1 V, ±2.5 V, ±5 V, ±10 V	1 V to 5 V	
32510	32510	High limit
-32511	-4863	Low limit

Table B- 7 Current and resistance limits

Current		Resistor	
±20 mA	4 mA to 20 mA / 0 mA to 20 mA	(all configurable measuring ranges)	
32510	32510	32510	High limit
-32511	-4863	1	Low limit

Table B- 8 Limits for thermocouple types B, C, E, and J

Thermocouple									
Type B			Type E			Type J			
°C	°F	K	°C	°F	K	°C	°F	K	
20699	32765	23431	11999	21919	14731	14499	26419	17231	High limit
1	321	2733	-2699	-4539	33	-2099	-3459	633	Low limit

Table B- 9 Limits for thermocouples type K, N, R, and S

Thermocouple									
Type K			Type N			Types R, S			
°C	°F	K	°C	°F	K	°C	°F	K	
16219	29515	18951	15499	28219	18231	20189	32765	22921	High limit
-2699	-4539	33	-2699	-4539	33	-1699	-2739	1033	Low limit

Table B- 10 Limits for thermocouple type T

Thermocouple			
Type T			
°C	°F	K	
5399	10039	8131	High limit
-2699	-4539	33	Low limit

Table B- 11 Limits for thermal resistor Pt xxx Standard and Pt xxx Climatic

Thermal resistor						
Pt xxx Standard			Pt xxx Climate			
°C	°F	K	°C	°F	K	
9999	18319	12731	15499	31099	---	High limit
-2429	-4053	303	-14499	-22899	---	Low limit

Table B- 12 Limits for thermal resistor Ni xxx Standard and Ni xxx Climatic

Thermal resistor						
Ni xxx Standard			Ni xxx Climate			
°C	°F	K	°C	°F	K	
2949	5629	5681	15499	31099	---	High limit
-1049	-1569	1683	-10499	-15699	---	Low limit

## B.3 Structure of a data record for output channels

### Assignment of data record and channel

For the configuration as a 1 x 2-channel module, the parameters are located in data records 64 and 65 and are assigned as follows:

- Data record 64 for channel 0
- Data record 65 for channel 1

For configuration 2 x 1-channel, the module has 2 submodules with one channel each. The parameters for the channel are available in data record 64 and are assigned as follows:

- Data record 64 for channel 0 (submodule 1)
- Data record 64 for channel 1 (submodule 2)

Address the respective submodule for data record transfer.



## Data record structure

The example in the figure below shows the structure of data record 64 for channel 0. The structure of channel 1 is identical. The values in byte 0 and byte 1 are fixed and may not be changed.

Enable a parameter by setting the corresponding bit to "1".

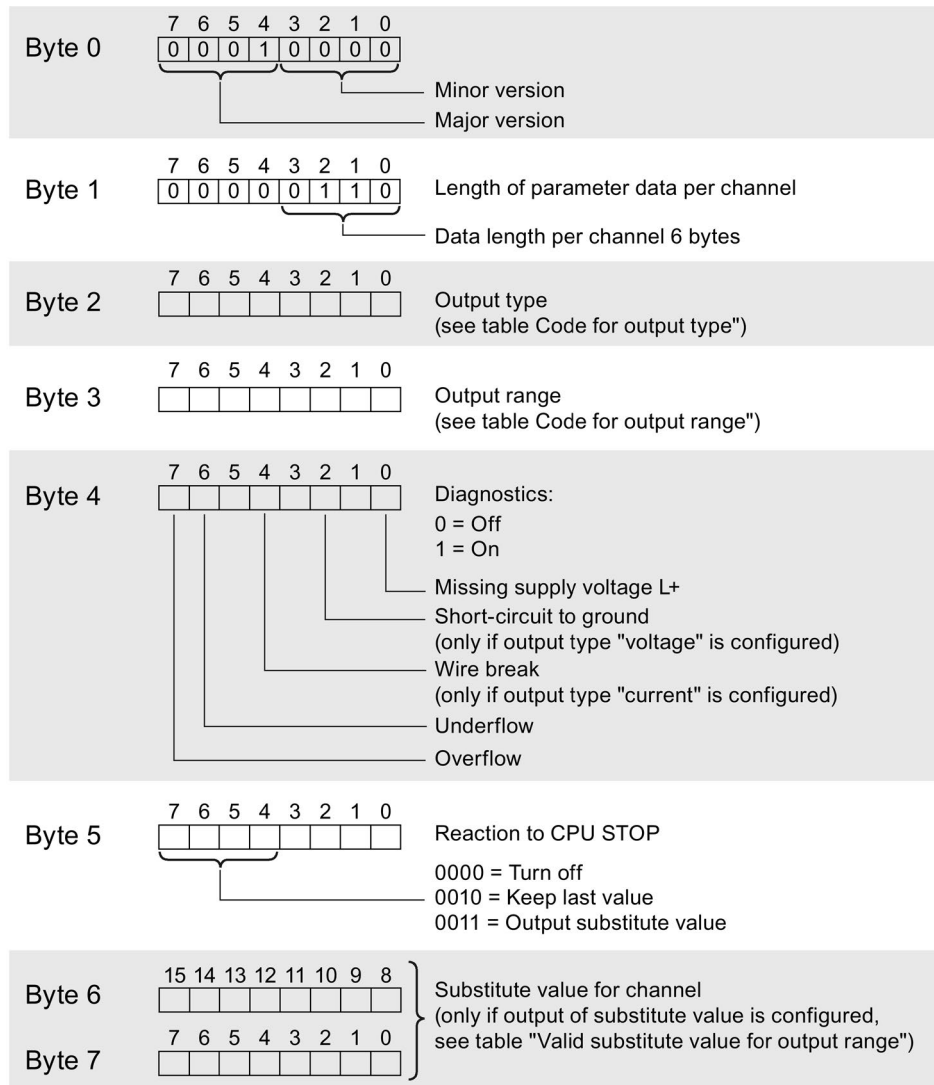


Figure B-3 Structure of data record 64: Bytes 0 to 7

### Codes for the output type

The following table lists all output types of the analog output module along with their codes. Enter these codes at byte 2 of the data record for the corresponding channel (see the previous figure).

Table B- 13 Code for the output type

Output type	Code
Disabled	0000 0000
Voltage	0000 0001
Current	0000 0010

### Codes for the output ranges

The following table lists all voltage and current output ranges of the analog output module along with their codes. In each case, enter these codes at byte 3 of the respective data record (see previous figure).

Table B- 14 Code for the output range

Output range for voltage	Code
1 V to 5 V	0000 0011
0 V to 10 V	0000 0010
±10 V	0000 0000
Output range for current	Code
0 mA to 20 mA	0000 0001
4 mA to 20 mA	0000 0010
±20 mA	0000 0000

### Valid substitute values

The following table lists all output ranges for the valid substitute values. Enter these substitute values at bytes 6 and 7 of the data record for the corresponding channel (see the previous figure). The binary representation of output ranges is available on the Internet in the function manual Analog value processing for SIMATIC.

Table B- 15 Valid substitute value for the output range

Output range	Valid substitute value
±10 V	-32512 ... +32511
1 V to 5 V	-6912 ... +32511
0 V to 10 V	0 ... +32511
±20 mA	-32512 ... +32511
4 mA to 20 mA	-6912 ... +32511
0 mA to 20 mA	0 ... +32511

## B.4 Structure of a data record for dynamic reference temperature

The **WRREC** instruction is used to transfer the reference junction temperature via data record 192 to data record 195 to the module. Data records 192 to 195 cannot be read back.

The description of the **WRREC** instruction can be found in the STEP 7 online help.

If you have set the "Dynamic reference temperature" value for the "Reference junction" parameter, the module expects a new data record at least every 5 minutes. If the module does not receive a new data record within this time, it generates the "Reference channel error" diagnostics message.

### Assignment of data record and channel

Data records and channels are assigned as follows:

- Data record 192 for channel 0
- Data record 193 for channel 1
- Data record 194 for channel 2
- Data record 195 for channel 3

### Structure of data record 192 for dynamic reference temperature

The following figure shows an example of the structure of data record 192 for channel 0. The structure for data records 193 to 195 is identical.

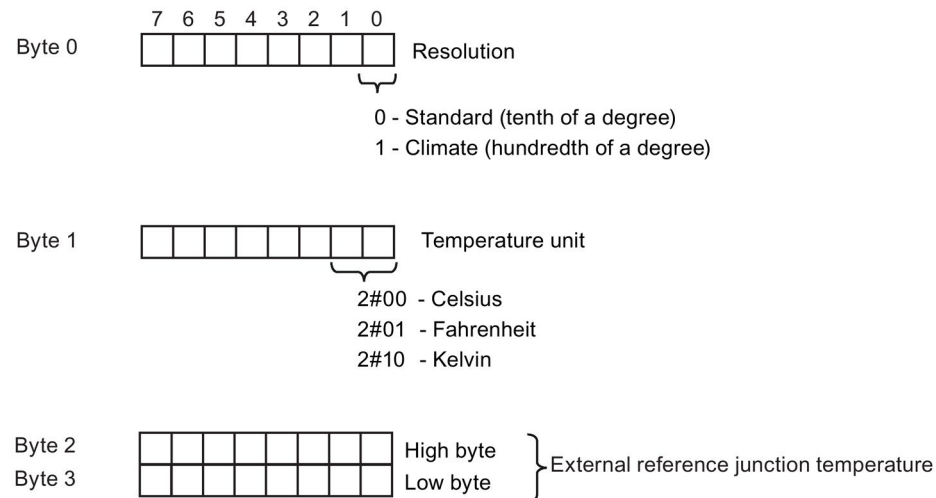


Figure B-4 Structure of data record 192

### Valid values for temperature compensation

You can enter the selectable values at bytes 2 and 3 of the data record for the corresponding channel. The selectable values must lie within the permitted value range, see following table. The resolution is a tenth of a degree.

Table B- 16 Valid values for temperature compensation via data record

Temperature unit	Dec	Hex
Celsius (standard)	-1450 to 1550	FA56 <sub>H</sub> to 60E <sub>H</sub>
Fahrenheit (standard)	-2290 to 3110	F70E <sub>H</sub> to C26 <sub>H</sub>
Kelvin (standard)	1282 to 3276	502 <sub>H</sub> to CCC <sub>H</sub>
Celsius (climatic)	-14500 to 15500	C75C <sub>H</sub> to 3C8C <sub>H</sub>
Fahrenheit (climatic)	-22900 to 31100	A68C <sub>H</sub> to 797C <sub>H</sub>
Kelvin (climatic)	12820 to 32760	3214 <sub>H</sub> to 7FF8 <sub>H</sub>

### Additional information

For more information on compensation of the reference junction temperature via data record refer to the Analog value processing (<http://support.automation.siemens.com/WW/view/en/67989094>) function manual in the internet.

# Analog value processing

## Introduction

This section shows the analog values for all measuring ranges supported by the AI 4xU/I/RTD/TC/ AQ 2xU/I ST analog module.

## Measured value resolution

Each analog value is written left aligned to the tags. The bits marked with "x" are set to "0".

---

### Note

This resolution does not apply to temperature values. The digitalized temperature values are the result of a conversion in the analog module.

---

Table C- 1 Resolution of the analog values

Resolution in bits including sign	Values		Analog value	
	Dec	Hex	High byte	Low byte
16	1	1H	Sign 0 0 0 0 0 0 0	0 0 0 0 0 0 0 1

## C.1 Representation of input ranges

The tables below set out the digitized representation of the input ranges by bipolar and unipolar input ranges. The resolution is 16 bits.

Table C- 2 Bipolar input ranges

Dec. value	Measured value in %	Data word																Range
		2 <sup>15</sup>	2 <sup>14</sup>	2 <sup>13</sup>	2 <sup>12</sup>	2 <sup>11</sup>	2 <sup>10</sup>	2 <sup>9</sup>	2 <sup>8</sup>	2 <sup>7</sup>	2 <sup>6</sup>	2 <sup>5</sup>	2 <sup>4</sup>	2 <sup>3</sup>	2 <sup>2</sup>	2 <sup>1</sup>	2 <sup>0</sup>	
32767	>117.589	0	1	1	1	1	1	1	1	1	1	1	1	1	1	1	1	Overflow
32511	117.589	0	1	1	1	1	1	1	1	0	1	1	1	1	1	1	1	Overshoot range
27649	100.004	0	1	1	0	1	1	0	0	0	0	0	0	0	0	0	1	
27648	100.000	0	1	1	0	1	1	0	0	0	0	0	0	0	0	0	0	Rated range
1	0.003617	0	0	0	0	0	0	0	0	0	0	0	0	0	0	0	1	
0	0.000	0	0	0	0	0	0	0	0	0	0	0	0	0	0	0	0	
-1	-0.003617	1	1	1	1	1	1	1	1	1	1	1	1	1	1	1	1	
-27648	-100.000	1	0	0	1	0	1	0	0	0	0	0	0	0	0	0	0	Undershoot range
-27649	-100.004	1	0	0	1	0	0	1	1	1	1	1	1	1	1	1	1	
-32512	-117.593	1	0	0	0	0	0	0	1	0	0	0	0	0	0	0	0	Underflow
-32768	<-117.593	1	0	0	0	0	0	0	0	0	0	0	0	0	0	0	0	

Table C- 3 Unipolar input ranges

Dec. value	Measured value in %	Data word																Range
		2 <sup>15</sup>	2 <sup>14</sup>	2 <sup>13</sup>	2 <sup>12</sup>	2 <sup>11</sup>	2 <sup>10</sup>	2 <sup>9</sup>	2 <sup>8</sup>	2 <sup>7</sup>	2 <sup>6</sup>	2 <sup>5</sup>	2 <sup>4</sup>	2 <sup>3</sup>	2 <sup>2</sup>	2 <sup>1</sup>	2 <sup>0</sup>	
32767	>117.589	0	1	1	1	1	1	1	1	1	1	1	1	1	1	1	1	Overflow
32511	117.589	0	1	1	1	1	1	1	0	1	1	1	1	1	1	1	1	Overshoot range
27649	100.004	0	1	1	0	1	1	0	0	0	0	0	0	0	0	0	1	
27648	100.000	0	1	1	0	1	1	0	0	0	0	0	0	0	0	0	0	Rated range
1	0.003617	0	0	0	0	0	0	0	0	0	0	0	0	0	0	0	1	
0	0.000	0	0	0	0	0	0	0	0	0	0	0	0	0	0	0	0	
-1	-0.003617	1	1	1	1	1	1	1	1	1	1	1	1	1	1	1	1	
-4864	-17.593	1	1	1	0	1	1	0	1	0	0	0	0	0	0	0	0	Undershoot range
-32768	<-17.593	1	0	0	0	0	0	0	0	0	0	0	0	0	0	0	0	

### C.1.1 Representation of analog values in voltage measuring ranges

The following tables list the decimal and hexadecimal values (codes) of the possible voltage measuring ranges.

Table C- 4 Voltage measuring ranges  $\pm 10$  V,  $\pm 5$  V,  $\pm 2.5$  V,  $\pm 1$  V,

Values		Voltage measuring range				Range
dec	hex	$\pm 10$ V	$\pm 5$ V	$\pm 2.5$ V	$\pm 1$ V	
32767	7FFF	>11.759 V	>5.879 V	>2.940 V	> 1.176 V	Overflow
32511	7EFF	11.759 V	5.879 V	2.940 V	1.176 V	Over range
27649	6C01					
27648	6C00	10 V	5 V	2.5 V	1 V	Rated range
20736	5100	7.5 V	3.75 V	1.875 V	0.75 V	
1	1	361.7 $\mu$ V	180.8 $\mu$ V	90.4 $\mu$ V	36.17 $\mu$ V	
0	0	0 V	0 V	0 V	0 V	
-1	FFFF					
-20736	AF00	-7.5 V	-3.75 V	-1.875 V	-0.75 V	
-27648	9400	-10 V	-5 V	-2.5 V	-1 V	Under range
-27649	93FF					
-32512	8100	-11.759 V	-5.879 V	-2.940 V	-1.176 V	
-32768	8000	<-11.759 V	<-5.879 V	<-2.940 V	<-1.176 V	Underflow

Table C- 5 Voltage measuring ranges  $\pm 500$  mV,  $\pm 250$  mV,  $\pm 80$  mV, and  $\pm 50$  mV

Values		Voltage measuring range				Range
dec	hex	$\pm 500$ mV	$\pm 250$ mV	$\pm 80$ mV	$\pm 50$ mV	
32767	7FFF	>587.9 mV	> 294.0 mV	> 94.1 mV	> 58.8 mV	Overflow
32511	7EFF	587.9 mV	294.0 mV	94.1 mV	58.8 mV	Over range
27649	6C01					
27648	6C00	500 mV	250 mV	80 mV	50 mV	Rated range
20736	5100	375 mV	187.5 mV	60 mV	37.5 mA	
1	1	18.08 $\mu$ V	9.04 $\mu$ V	2.89 $\mu$ V	1.81 $\mu$ V	
0	0	0 mV	0 mV	0 mV	0 mV	
-1	FFFF					
-20736	AF00	-375 mV	-187.5 mV	-60 mV	-37.5 mV	
-27648	9400	-500 mV	-250 mV	-80 mV	-50 mV	Under range
-27649	93FF					
-32512	8100	-587.9 mV	-294.0 mV	-94.1 mV	-58.8 mV	
-32768	8000	<-587.9 mV	<-294.0 mV	<-94.1 mV	<-58.8 mV	Underflow

Table C- 6 Voltage measuring range 1 V to 5 V

Values		Voltage measuring range	Range
dec	hex	1 V to 5 V	
32767	7FFF	>5.704 V	Overflow
32511	7EFF	5.704 V	Over range
27649	6C01		
27648	6C00	5 V	Rated range
20736	5100	4 V	
1	1	1 V + 144.7 $\mu$ V	
0	0	1 V	
-1	FFFF		Under range
-4864	ED00	0.296 V	
-32768	8000	< 0.296 V	Underflow

### C.1.2 Representation of analog values in the current measuring ranges

The following tables list the decimal and hexadecimal values (codes) of the possible current measuring ranges.

Table C- 7 Current measuring range  $\pm 20$  mA

Values		Current measuring range	
dec	hex	$\pm 20$ mA	
32767	7FFF	>23.52 mA	Overflow
32511	7EFF	23.52 mA	Overshoot range
27649	6C01		
27648	6C00	20 mA	Rated range
20736	5100	15 mA	
1	1	723.4 nA	
0	0	0 mA	
-1	FFFF		Undershoot range
-20736	AF00	-15 mA	
-27648	9400	-20 mA	
-27649	93FF		
-32512	8100	-23.52 mA	Underflow
-32768	8000	<-23.52 mA	



Table C- 8 Current measuring ranges 0 mA to 20 mA and 4 mA to 20 mA

Values		Current measuring range		
dec	hex	0 mA to 20 mA	4 mA to 20 mA	
32767	7FFF	>23.52 mA	>22.81 mA	Overflow
32511	7EFF	23.52 mA	22.81 mA	Overshoot range
27649	6C01			
27648	6C00	20 mA	20 mA	Rated range
20736	5100	15 mA	16 mA	
1	1	723.4 nA	4 mA + 578.7 nA	
0	0	0 mA	4 mA	
-1	FFFF			Undershoot range
-4864	ED00	-3.52 mA	1.185 mA	
-32768	8000	<- 3.52 mA	< 1.185 mA	Underflow

### C.1.3 Representation of the analog values of resistance-based sensors/resistance thermometers

The following tables list the decimal and hexadecimal values (codes) of the possible resistance-based sensor ranges.

Table C- 9 Resistance-based sensors of 150  $\Omega$ , 300  $\Omega$ , 600  $\Omega$ , and 6000  $\Omega$ 

Values		Resistance-based sensor range				
dec	hex	150 $\Omega$	300 $\Omega$	600 $\Omega$	6000 $\Omega$	
32767	7FFF	>176.38 $\Omega$	>352.77 $\Omega$	>705.53 $\Omega$	>7055.3 $\Omega$	Overflow
32511	7EFF	176.38 $\Omega$	352.77 $\Omega$	705.53 $\Omega$	7055.3 $\Omega$	Overshoot range
27649	6C01					
27648	6C00	150 $\Omega$	300 $\Omega$	600 $\Omega$	6000 $\Omega$	Rated range
20736	5100	112.5 $\Omega$	225 $\Omega$	450 $\Omega$	4500 $\Omega$	
1	1	5.43 m $\Omega$	10.85 m $\Omega$	21.70 m $\Omega$	217 m $\Omega$	
0	0	0 $\Omega$	0 $\Omega$	0 $\Omega$	0 $\Omega$	

C.1 Representation of input ranges

The following tables list the decimal and hexadecimal values (codes) of the supported resistance thermometers.

Table C- 10 Resistance thermometers Pt 100, Pt 200, Pt 500 and Pt 1000 Standard

Pt x00 Standard in °C (1 digit = 0.1°C)	Values		Pt x00 Standard in °F (1 digit = 0.1 °F)	Values		Pt x00 Standard in K (1 digit = 0.1 K)	Values		Range
	dec	hex		dec	hex		dec	hex	
> 1000.0	32767	7FFF	> 1832.0	32767	7FFF	> 1273.2	32767	7FFF	Overflow
1000.0	10000	2710	1832.0	18320	4790	1273.2	12732	31BC	Overshoot range
:	:	:	:	:	:	:	:	:	
850.1	8501	2135	1562.1	15621	3D05	1123.3	11233	2BE1	
850.0	8500	2134	1562.0	15620	3D04	1123.2	11232	2BE0	Rated range
:	:	:	:	:	:	:	:	:	
-200.0	-2000	F830	-328.0	-3280	F330	73.2	732	2DC	
-200.1	-2001	F82F	-328.1	-3281	F32F	73.1	731	2DB	Under range
:	:	:	:	:	:	:	:	:	
-243.0	-2430	F682	-405.4	-4054	F02A	30.2	302	12E	
< -243.0	-32768	8000	< -405.4	-32768	8000	< 30.2	32768	8000	Underflow

Table C- 11 Resistance thermometers Pt 100, Pt 200, Pt 500 and Pt 1000 Climatic

Pt x00 Climatic/ in °C (1 digit = 0.01 °C)	Values		Pt x00 Climatic/ in °F (1 digit = 0.01 °F)	Values		Range
	dec	hex		dec	hex	
> 155.00	32767	7FFF	> 311.00	32767	7FFF	Overflow
155.00	15500	3C8C	311.00	31100	797C	Overshoot range
:	:	:	:	:	:	
130.01	13001	32C9	266.01	26601	67E9	
130.00	13000	32C8	266.00	26600	67E8	Rated range
:	:	:	:	:	:	
-120.00	-12000	D120	-184.00	-18400	B820	
-120.01	-12001	D11F	-184.01	-18401	B81F	Under range
:	:	:	:	:	:	
-145.00	-14500	C75C	-229.00	-22900	A68C	
< -145.00	-32768	8000	< -229.00	-32768	8000	Underflow

Table C- 12 Resistance thermometers Ni 100, Ni 1000, LG-Ni 1000 Standard

Ni x00 standard in °C (1 digit = 0.1 °C)	Values		Ni x00 Standard in °F (1 digit = 0.1 °F)	Values		Ni x00 Standard in K (1 digit = 0.1 K)	Values		Range
	dec	hex		dec	hex		dec	hex	
> 295.0	32767	7FFF	> 563.0	32767	7FFF	> 568.2	32767	7FFF	Overflow
295.0	2950	B86	563.0	5630	15FE	568.2	5682	1632	Overshoot range
:	:	:	:	:	:	:	:	:	
250.1	2501	9C5	482.1	4821	12D5	523.3	5233	1471	Rated range
250.0	2500	9C4	482.0	4820	12D4	523.2	5232	1470	
:	:	:	:	:	:	:	:	:	Under range
-60.0	-600	FDA8	-76.0	-760	FD08	213.2	2132	854	
-60.1	-601	FDA7	-76.1	-761	FD07	213.1	2131	853	Under range
:	:	:	:	:	:	:	:	:	
-105.0	-1050	FBE6	-157.0	-1570	F9DE	168.2	1682	692	Underflow
< -105.0	-32768	8000	< -157.0	-32768	8000	< 168.2	32768	8000	

Table C- 13 Resistance thermometers Ni 100, Ni 1000, LG-Ni 1000 Climatic

Ni x00 Climatic in °C (1 digit = 0.01 °C)	Values		Ni x00 climatic in °F (1 digit = 0.01 °F)	Values		Range
	dec	hex		dec	hex	
> 155.00	32767	7FFF	> 311.00	32767	7FFF	Overflow
155.00	15500	3C8C	311.00	31100	797C	Overshoot range
:	:	:	:	:	:	
130.01	13001	32C9	266.01	26601	67E9	Rated range
130.00	13000	32C8	266.00	26600	67E8	
:	:	:	:	:	:	Under range
-60.00	-6000	E890	-76.00	-7600	E250	
-60.01	-6001	E88F	-76.01	-7601	E24F	Under range
:	:	:	:	:	:	
-105.00	-10500	D6FC	-157.00	-15700	C2AC	Underflow
< - 105.00	-32768	8000	< - 157.00	-32768	8000	

### C.1.4 Representation of analog values for thermocouples

The following tables list the decimal and hexadecimal values (codes) of the supported thermocouples.

Table C- 14 Thermocouple type B

Type B in C	Values		Type B in °F	Values		Type B in K	Values		Range
	dec	hex		dec	hex		dec	hex	
> 2070.0	32767	7FFF	> 3276.6	32767	7FFF	> 2343.2	32767	7FFF	Overflow
2070.0	20700	50DC	3276.6	32766	7FFE	2343.2	23432	5B88	Over range
:	:	:	:	:	:	:	:	:	
1820.1	18201	4719	2786.6	27866	6CDA	2093.3	20933	51C5	
1820.0	18200	4718	2786.5	27865	6CD9	2093.2	20932	51C4	Rated range
:	:	:	:	:	:	:	:	:	
250.0	2500	09C4	482.0	4820	12D4	523.2	5232	1470	
249.9	2499	09C3	481.9	4819	12D3	523.1	5231	1469	Under range
:	:	:	:	:	:	:	:	:	
0.0	0	0	32.0	320	0140	273.2	2732	0AAC	
< 0.0	-32768	8000	< 32.0	-32768	8000	< 273.2	32768	8000	Underflow

Table C- 15 Thermocouple type E

Type E in °C	Values		Type E in °F	Values		Type E in K	Values		Range
	dec	hex		dec	hex		dec	hex	
> 1200.0	32767	7FFF	> 2192.0	32767	7FFF	> 1473.2	32767	7FFF	Overflow
1200.0	12000	2EE0	2192.0	21920	55A0	1473.2	14732	398C	Over range
:	:	:	:	:	:	:	:	:	
1000.1	10001	2711	1832.2	18322	4792	1273.3	12733	31BD	
1000.0	10000	2710	1832.0	18320	4790	1273.2	12732	31BC	Rated range
:	:	:	:	:	:	:	:	:	
-270.0	-2700	F574	-454.0	-4540	EE44	0	0	0000	
< -270.0	-32768	8000	< -454.0	-32768	8000	<0	-32768	8000	Underflow

Table C- 16 Thermocouple type J

Type J in °C	Values		Type J in °F	Values		Type J in K	Values		Range
	dec	hex		dec	hex		dec	hex	
> 1450.0	32767	7FFF	> 2642.0	32767	7FFF	> 1723.2	32767	7FFF	Overflow
1450.0	14500	38A4	2642.0	26420	6734	1723.2	17232	4350	Over range
:	:	:	:	:	:	:	:	:	
1200.1	12001	2EE1	2192.2	21922	55A2	1473.3	14733	398D	
1200.0	12000	2EE0	2192.0	21920	55A0	1473.2	14732	398C	Rated range
:	:	:	:	:	:	:	:	:	
-210.0	-2100	F7CC	-346.0	-3460	F27C	63.2	632	0278	
< -210.0	-32768	8000	< -346.0	-32768	8000	< 63.2	-32768	8000	Underflow

Table C- 17 Thermocouple type K

Type K in °C	Values		Type K in °F	Values		Type K in K	Values		Range
	dec	hex		dec	hex		dec	hex	
> 1622.0	32767	7FFF	> 2951.6	32767	7FFF	> 1895.2	32767	7FFF	Overflow
1622.0	16220	3F5C	2951.6	29516	734C	1895.2	18952	4A08	Over range
:	:	:	:	:	:	:	:	:	
1372.1	13721	3599	2501.7	25017	61B9	1645.3	16453	4045	
1372.0	13720	3598	2501.6	25016	61B8	1645.2	16452	4044	Rated range
:	:	:	:	:	:	:	:	:	
-270.0	-2700	F574	-454.0	-4540	EE44	0	0	0000	
< -270.0	-32768	8000	< -454.0	-32768	8000	< 0	-32768	8000	Underflow

Table C- 18 Thermocouple type N

Type N in °C	Values		Type N in °F	Values		Type N in K	Values		Range
	dec	hex		dec	hex		dec	hex	
> 1550.0	32767	7FFF	> 2822.0	32767	7FFF	> 1823.2	32767	7FFF	Overflow
1550.0	15500	3C8C	2822.0	28220	6E3C	1823.2	18232	4738	Over range
:	:	:	:	:	:	:	:	:	
1300.1	13001	32C9	2372.2	23722	5CAA	1573.3	15733	3D75	
1300.0	13000	32C8	2372.0	23720	5CA8	1573.2	15732	3D74	Rated range
:	:	:	:	:	:	:	:	:	
-270.0	-2700	F574	-454.0	-4540	EE44	0	0	0000	
< -270.0	-32768	8000	< -454.0	-32768	8000	< 0	-32768	8000	Underflow

C.1 Representation of input ranges

Table C- 19 Thermocouple type R and S

Type R, S in °C	Values		Type R, S in °F	Values		Types R, S in K	Values		Range
	dec	hex		dec	hex		dec	hex	
> 2019.0	32767	7FFF	> 3276.6	32767	7FFF	> 2292.2	32767	7FFF	Overflow
2019.0	20190	4EDE	3276.6	32766	7FFE	2292.2	22922	598A	Over range
:	:	:	:	:	:	:	:	:	
1769.1	17691	451B	3216.4	32164	7DA4	2042.3	20423	4FC7	
1769.0	17690	451A	3216.2	32162	7DA2	2042.2	20422	4FC6	Rated range
:	:	:	:	:	:	:	:	:	
-50.0	-500	FE0C	-58.0	-580	FDBC	223.2	2232	08B8	
-50.1	-501	FE0B	-58.1	-581	FDBB	223.1	2231	08B7	Under range
:	:	:	:	:	:	:	:	:	
-170.0	-1700	F95C	-274.0	-2740	F54C	103.2	1032	0408	
< -170.0	-32768	8000	< -274.0	-32768	8000	< 103.2	< 1032	8000	Underflow

Table C- 20 Thermocouple type T

Type T in °C	Values		Type T in °F	Values		Type T in K	Values		Range
	dec	hex		dec	hex		dec	hex	
> 540.0	32767	7FFF	> 1004.0	32767	7FFF	> 813.2	32767	7FFF	Overflow
540.0	5400	1518	1004.0	10040	2738	813.2	8132	1FC4	Over range
:	:	:	:	:	:	:	:	:	
400.1	4001	0FA1	752.2	7522	1D62	673.3	6733	1AAD	
400.0	4000	0FA0	752.0	7520	1D60	673.2	6732	1AAC	Rated range
:	:	:	:	:	:	:	:	:	
-270.0	-2700	F574	-454.0	-4540	EE44	3.2	32	0020	
< -270.0	-32768	8000	< -454.0	-32768	8000	< 3.2	-32768	8000	Underflow

### C.1.5 Measured values for wire break diagnostics

#### Measured values on diagnostics event "wire break", dependent on diagnostics enables

Error events initiate a diagnostics entry and trigger a diagnostics interrupt if configured accordingly.

Table C- 21 Measured values for wire break diagnostics

Format	Parameter assignment	Measured values		Explanation
S7	<ul style="list-style-type: none"> <li>• "Wire break" diagnostics enabled</li> <li>• "Overflow/Underflow" diagnostics enabled or disabled</li> </ul> ("Wire break" diagnostics takes priority over "Overflow/Underflow" diagnostics)	32767	7FFF <sub>H</sub>	"Wire break" or "Open circuit" diagnostics alarm
	<ul style="list-style-type: none"> <li>• "Wire break" diagnostics disabled</li> <li>• "Overflow/Underflow" diagnostics enabled</li> </ul>	-32767	8000 <sub>H</sub>	<ul style="list-style-type: none"> <li>• Measured value after leaving the under range</li> <li>• Diagnostics alarm "Low limit violated"</li> </ul>
	<ul style="list-style-type: none"> <li>• "Wire break" diagnostics disabled</li> <li>• "Overflow/Underflow" diagnostics disabled</li> </ul>	-32767	8000 <sub>H</sub>	Measured value after leaving the under range

## C.2 Representation of output ranges

The tables below set out the digitalized representation of the output ranges by bipolar and unipolar range. The resolution is 16 bits.

Table C- 22 Bipolar output ranges

Dec. value	Output value in %	Data word																Range
		2 <sup>15</sup>	2 <sup>14</sup>	2 <sup>13</sup>	2 <sup>12</sup>	2 <sup>11</sup>	2 <sup>10</sup>	2 <sup>9</sup>	2 <sup>8</sup>	2 <sup>7</sup>	2 <sup>6</sup>	2 <sup>5</sup>	2 <sup>4</sup>	2 <sup>3</sup>	2 <sup>2</sup>	2 <sup>1</sup>	2 <sup>0</sup>	
32511	117.589	0	1	1	1	1	1	1	0	1	1	1	1	1	1	1	1	Maximum output value*
32511	117.589	0	1	1	1	1	1	1	0	1	1	1	1	1	1	1	1	Overshoot range
27649	100.004	0	1	1	0	1	1	0	0	0	0	0	0	0	0	0	1	
27648	100.000	0	1	1	0	1	1	0	0	0	0	0	0	0	0	0	0	Rated range
1	0.003617	0	0	0	0	0	0	0	0	0	0	0	0	0	0	0	1	
0	0.000	0	0	0	0	0	0	0	0	0	0	0	0	0	0	0	0	
-1	-0.003617	1	1	1	1	1	1	1	1	1	1	1	1	1	1	1	1	
-27648	-100.000	1	0	0	1	0	1	0	0	0	0	0	0	0	0	0	0	
-27649	-100.004	1	0	0	1	0	0	1	1	1	1	1	1	1	1	1	1	Undershoot range
-32512	-117.593	1	0	0	0	0	0	0	1	0	0	0	0	0	0	0	0	
-32512	-117.593	1	0	0	0	0	0	0	1	0	0	0	0	0	0	0	0	Minimum output value**

\* When values > 32511 are specified, the output value is limited to 117.589%.

\*\* When values < -32512 are specified, the output value is limited to -117.593%.

Table C- 23 Unipolar output ranges

Dec. value	Output value in %	Data word																Range
		2 <sup>15</sup>	2 <sup>14</sup>	2 <sup>13</sup>	2 <sup>12</sup>	2 <sup>11</sup>	2 <sup>10</sup>	2 <sup>9</sup>	2 <sup>8</sup>	2 <sup>7</sup>	2 <sup>6</sup>	2 <sup>5</sup>	2 <sup>4</sup>	2 <sup>3</sup>	2 <sup>2</sup>	2 <sup>1</sup>	2 <sup>0</sup>	
32511	117.589	0	1	1	1	1	1	1	1	x	x	x	x	x	x	x	x	Maximum output value*
32511	117.589	0	1	1	1	1	1	1	0	1	1	1	1	1	1	1	1	Overshoot range
27649	100.004	0	1	1	0	1	1	0	0	0	0	0	0	0	0	0	1	
27648	100.000	0	1	1	0	1	1	0	0	0	0	0	0	0	0	0	0	Rated range
1	0.003617	0	0	0	0	0	0	0	0	0	0	0	0	0	0	0	1	
0	0.000	0	0	0	0	0	0	0	0	0	0	0	0	0	0	0	0	
0	0	0	0	0	0	0	0	0	0	0	0	0	0	0	0	0	0	Minimum output value**

\* When values > 32511 are specified, the output value is limited to 117.589%.

\*\* When values < 0 are specified, the output value is limited to 0%.



### C.2.1 Representation of analog values in the voltage output ranges

The tables below list the decimal and hexadecimal values (codes) of the possible voltage output ranges.

Table C- 24 Voltage output range  $\pm 10$  V

Values			Voltage output range	Range
	dec	hex	$\pm 10$ V	
>117.589%	>32511	>7EFF	11.76 V	Maximum output value
117.589%	32511	7EFF	11.76 V	Over range
	27649	6C01		
100%	27648	6C00	10 V	Rated range
75%	20736	5100	7.5 V	
0.003617%	1	1	361.7 $\mu$ V	
0%	0	0	0 V	
	-1	FFFF	-361.7 $\mu$ V	
-75%	-20736	AF00	-7.5 V	
-100%	-27648	9400	-10 V	
	-27649	93FF		Under range
-117.593%	-32512	8100	-11.76 V	Minimum output value
<-117.593%	<-32512	< 8100	-11.76 V	

Table C- 25 Voltage output range 0 V to 10 V

Values			Voltage output range	Range
	dec	hex	0 V to 10 V	
>117.589%	>32511	>7EFF	11.76 V	Maximum output value
117.589%	32511	7EFF	11.76 V	Over range
	27649	6C01		
100%	27648	6C00	10 V	Rated range
75%	20736	5100	7.5 V	
0.003617%	1	1	361.7 $\mu$ V	
0%	0	0	0 V	
<0%	<0	<0	0 V	

Table C- 26 Voltage output range 1 V to 5 V

Values			Voltage output range	Range
	dec	hex	1 V to 5 V	
>117.589%	>32511	>7EFF	5.70 V	Maximum output value
117.589%	32511	7EFF	5.70 V	Over range
	27649	6C01		
100%	27648	6C00	5 V	Rated range
75%	20736	5100	4 V	
0.003617%	1	1	1 V +144.7 $\mu$ V	
0%	0	0	1 V	
	-1	FFFF	1 V -144.7 $\mu$ V	
-25%	-6912	E500	0 V	Under range
<-25%	<-6912	< E500	0 V	Minimum output value

### C.2.2 Representation of analog values in the current output ranges

The tables below list the decimal and hexadecimal values (codes) of the possible current output ranges.

Table C- 27 Current output range  $\pm$ 20 mA

Values			Current output range	Range
	dec	hex	$\pm$ 20 mA	
>117.589%	>32511	>7EFF	23.52 mA	Maximum output value
117.589%	32511	7EFF	23.52 mA	Over range
	27649	6C01		
100 %	27648	6C00	20 mA	Rated range
75%	20736	5100	15 mA	
0.003617 %	1	1	723.4 nA	
0%	0	0	0 mA	
	-1	FFFF	-723.4 nA	
-75%	-20736	AF00	-15 mA	Under range
-100%	-27648	9400	-20 mA	
	-27649	93FF		
-117.593%	-32512	8100	-23.52 mA	
<-117.593%	<-32512	<8100	-23.52 mA	Minimum output value

Table C- 28 Current output range 0 mA to 20 mA

Values			Current output range	Range
	dec	hex	0 mA to 20 mA	
>117.589%	>32511	>7EFF	23.52 mA	Maximum output value
117.589%	32511	7EFF	23.52 mA	Over range
	27649	6C01		
100%	27648	6C00	20 mA	Rated range
75%	20736	5100	15 mA	
0.003617%	1	1	723.4 nA	
0%	0	0	0 mA	
<0%	<0	<0	0 mA	Minimum output value

Table C- 29 Current output range 4 mA to 20 mA

Values			Current output range	Range
	dec	hex	4 mA to 20 mA	
>117.589%	>32511	>7EFF	22.81 mA	Maximum output value
117.589%	32511	7EFF	22.81 mA	Over range
	27649	6C01		
100%	27648	6C00	20 mA	Rated range
75%	20736	5100	16 mA	
0.003617%	1	1	4 mA	
0%	0	0	4 mA	
	-1	FFFF		Under range
-25%	-6912	E500	0 mA	Minimum output value
<-25%	<-6912	<E500	0 mA	