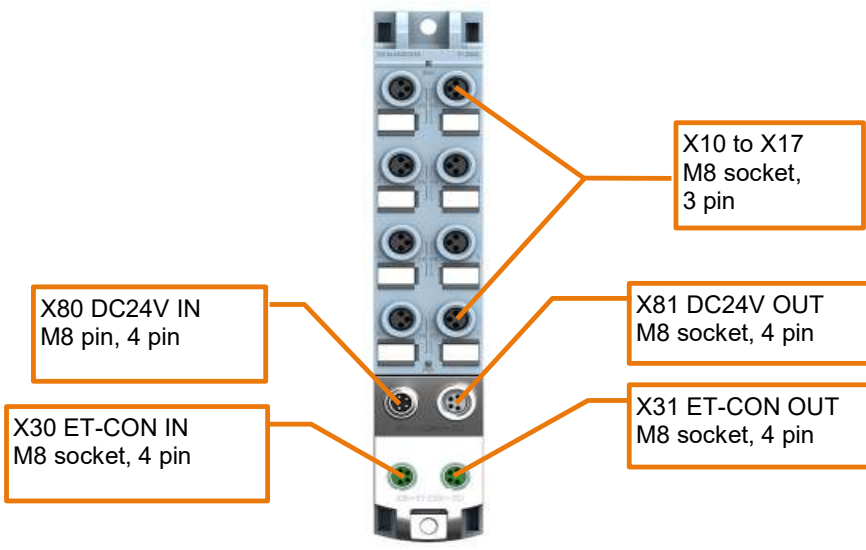


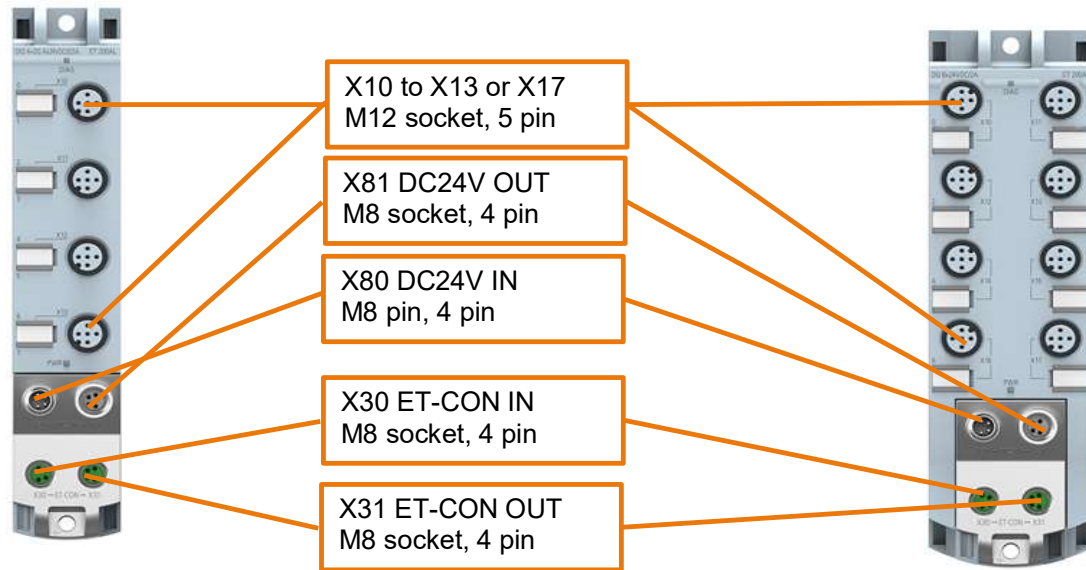
ET 200AL		
digital modules M8		Order number
DI8 x 24V DC, 8 x M8		6ES7141-5BF00-0BA0
DIQ 4+DQ 4x24VDC/0,5A, 8xM8		6ES7143-5BF00-0BA0
		
Interfaces		Order number
X10 to X17 (M8 socket, 3 pin)		
Miscellaneous		
M8 cover caps		3RK1901-1PN00
X80 DC 24V IN (M8 pin, 4 pin)		
non-assembled connectors		
M8 power connector, socket insert, 4 pin		6ES7194-2AC00-0AA0
pre-assembled cables		
Power cable M8, pre-assembled at both ends with M8 plug and M8 socket, 4 core	0,19 m	6ES7194-2LH02-1AA0
	0,3 m	6ES7194-2LH03-1AA0
	1,0 m	6ES7194-2LH10-1AA0
	2,0 m	6ES7194-2LH20-1AA0
	5,0 m	6ES7194-2LH50-1AA0
	10,0 m	6ES7194-2LN10-1AA0
	15,0 m	6ES7194-2LN15-1AA0
Power cable M8, PUR cable, pre-assembled at both ends with M8 plug and M8 socket, 4 core	0,19 m	6ES7194-2MH02-1AA0
	0,3 m	6ES7194-2MH03-1AA0
	1,0 m	6ES7194-2MH10-1AA0
	2,0 m	6ES7194-2MH20-1AA0
	5,0 m	6ES7194-2MH50-1AA0
	10,0 m	6ES7194-2MN10-1AA0
	15,0 m	6ES7194-2MN15-1AA0
Power cable M8, pre-assembled at both ends with M8 plug (angled) and M8 socket (angled), 4 core	0,3 m	6ES7194-2LH03-1AB0
	1,0 m	6ES7194-2LH10-1AB0
	2,0 m	6ES7194-2LH20-1AB0
	5,0 m	6ES7194-2LH50-1AB0
	10,0 m	6ES7194-2LN10-1AB0
	15,0 m	6ES7194-2LN15-1AB0
	Power cable M8, PUR cable, pre-assembled at both ends with M8 plug (angled) and M8 socket (angled), 4 core	0,3 m
1,0 m		6ES7194-2MH10-1AB0
2,0 m		6ES7194-2MH20-1AB0
5,0 m		6ES7194-2MH50-1AB0
10,0 m		6ES7194-2MN10-1AB0
15,0 m		6ES7194-2MN15-1AB0

Power cable M8, pre-assembled at one end with M8 socket, 4 core	2,0 m	6ES7194-2LH20-1AC0
	5,0 m	6ES7194-2LH50-1AC0
	10,0 m	6ES7194-2LN10-1AC0
	15,0 m	6ES7194-2LN10-1AC0
Power cable M8, PUR cable, pre-assembled at one end with M8 socket, 4 core	2,0 m	6ES7194-2MH20-1AC0
	5,0 m	6ES7194-2MH50-1AC0
	10,0 m	6ES7194-2MN10-1AC0
	15,0 m	6ES7194-2MN10-1AC0
X81 DC 24V OUT (M8 socket, 4 pin)		
non-assembled connectors		
M8 Power connector, pin insert, 4 pin		6ES7194-2AA00-0AA0
pre-assembled cables		
Power cable M8, pre-assembled at both ends with M8 plug and M8 socket, 4 core	0,19 m	6ES7194-2LH02-1AA0
	0,3 m	6ES7194-2LH03-1AA0
	1,0 m	6ES7194-2LH10-1AA0
	2,0 m	6ES7194-2LH20-1AA0
	5,0 m	6ES7194-2LH50-1AA0
	10,0 m	6ES7194-2LN10-1AA0
	15,0 m	6ES7194-2LN15-1AA0
Power cable M8, PUR cable, pre-assembled at both ends with M8 plug and M8 socket, 4 core	0,19 m	6ES7194-2MH02-1AA0
	0,3 m	6ES7194-2MH03-1AA0
	1,0 m	6ES7194-2MH10-1AA0
	2,0 m	6ES7194-2MH20-1AA0
	5,0 m	6ES7194-2MH50-1AA0
	10,0 m	6ES7194-2MN10-1AA0
	15,0 m	6ES7194-2MN15-1AA0
Power cable M8, pre-assembled at both ends with M8 plug (angled) and M8 socket (angled), 4 core	0,3 m	6ES7194-2LH03-1AB0
	1,0 m	6ES7194-2LH10-1AB0
	2,0 m	6ES7194-2LH20-1AB0
	5,0 m	6ES7194-2LH50-1AB0
	10,0 m	6ES7194-2LN10-1AB0
	15,0 m	6ES7194-2LN15-1AB0
Power cable M8, PUR cable, pre-assembled at both ends with M8 plug (angled) and M8 socket (angled), 4 core	0,3 m	6ES7194-2MH03-1AB0
	1,0 m	6ES7194-2MH10-1AB0
	2,0 m	6ES7194-2MH20-1AB0
	5,0 m	6ES7194-2MH50-1AB0
	10,0 m	6ES7194-2MN10-1AB0
	15,0 m	6ES7194-2MN15-1AB0
Power cable M8, pre-assembled at one end with M8 socket, 4 core	2,0 m	6ES7194-2LH20-1AC0
	5,0 m	6ES7194-2LH50-1AC0
	10,0 m	6ES7194-2LN10-1AC0
	15,0 m	6ES7194-2LN10-1AC0
Power cable M8, PUR cable, pre-assembled at one end with M8 socket, 4 core	2,0 m	6ES7194-2MH20-1AC0
	5,0 m	6ES7194-2MH50-1AC0
	10,0 m	6ES7194-2MN10-1AC0
	15,0 m	6ES7194-2MN10-1AC0
Miscellaneous		
M8 cover caps		3RK1901-1PN00
X30 ET-CON IN (M8 socket, 4 pin)		
non-assembled connectors		
M8 connector for ET-Connection, 4-pin, shield		6ES7194-2AB00-0AA0

pre-assembled cables		
Bus cable for ET-Connection M8, pre-assembled at both ends with 2 x M8 connectors, 4 core, shield	0,19 m	6ES7194-2LH02-0AA0
	0,3 m	6ES7194-2LH03-0AA0
	1,0 m	6ES7194-2LH10-0AA0
	2,0 m	6ES7194-2LH20-0AA0
	5,0 m	6ES7194-2LH50-0AA0
	10,0 m	6ES7194-2LN10-0AA0
	15,0 m	6ES7194-2LN15-0AA0
Bus cable for ET-Connection M8, PUR cable pre-assembled at both ends with 2 x M8 connectors, 4 core, shield	0,19 m	6ES7194-2MH02-0AA0
	0,3 m	6ES7194-2MH03-0AA0
	1,0 m	6ES7194-2MH10-0AA0
	2,0 m	6ES7194-2MH20-0AA0
	5,0 m	6ES7194-2MH50-0AA0
	10,0 m	6ES7194-2MN10-0AA0
	15,0 m	6ES7194-2MN15-0AA0
Bus cable for ET-Connection M8, pre-assembled at both ends with 2 x M8 connectors, angled, 4 core, shield	0,3 m	6ES7194-2LH03-0AB0
	1,0 m	6ES7194-2LH10-0AB0
	2,0 m	6ES7194-2LH20-0AB0
	5,0 m	6ES7194-2LH50-0AB0
	10,0 m	6ES7194-2LN10-0AB0
	15,0 m	6ES7194-2LN15-0AB0
	Bus cable for ET-Connection M8, PUR cable, pre-assembled at both ends with 2 x M8 connectors, angled, 4 core, shield	0,3 m
1,0 m		6ES7194-2MH10-0AB0
2,0 m		6ES7194-2MH20-0AB0
5,0 m		6ES7194-2MH50-0AB0
10,0 m		6ES7194-2MN10-0AB0
15,0 m		6ES7194-2MN15-0AB0
Bus cable for ET-Connection M8, pre-assembled at one end with M8 connector, 4 core, shield		2,0 m
	5,0 m	6ES7194-2LH50-0AC0
	10,0 m	6ES7194-2LN10-0AC0
	15,0 m	6ES7194-2LN15-0AC0
Bus cable for ET-Connection M8, PUR cable, pre-assembled at one end with M8 connector, 4 core, shield	2,0 m	6ES7194-2MH20-0AC0
	5,0 m	6ES7194-2MH50-0AC0
	10,0 m	6ES7194-2MN10-0AC0
	15,0 m	6ES7194-2MN15-0AC0
Miscellaneous		
Connection cable for ET-Connection, pre-assembled with 2 x M8 socket, 4 core, shielded	0,2	6ES7194-2LH02-0AD0
Connection cable for ET-Connection, PUR cable, pre-assembled with 2 x M8 socket, 4 core, shielded	0,2	6ES7194-2MH02-0AD0
M8 cover caps		3RK1901-1PN00
X31 ET-CON OUT (M8 socket, 4 pin)		
non-assembled connectors		
M8 connector for ET-Connection, 4 pin, shield		6ES7194-2AB00-0AA0
pre-assembled cables		
Bus cable for ET-Connection M8, pre-assembled at both ends with 2 x M8 connectors, 4 core, shield	0,19 m	6ES7194-2LH02-0AA0
	0,3 m	6ES7194-2LH03-0AA0
	1,0 m	6ES7194-2LH10-0AA0
	2,0 m	6ES7194-2LH20-0AA0
	5,0 m	6ES7194-2LH50-0AA0
	10,0 m	6ES7194-2LN10-0AA0
	15,0 m	6ES7194-2LN15-0AA0

Bus cable for ET-Connection M8, PUR cable pre-assembled at both ends with 2 x M8 connectors, 4 core, shield	0,19 m	6ES7194-2MH02-0AA0
	0,3 m	6ES7194-2MH03-0AA0
	1,0 m	6ES7194-2MH10-0AA0
	2,0 m	6ES7194-2MH20-0AA0
	5,0 m	6ES7194-2MH50-0AA0
	10,0 m	6ES7194-2MN10-0AA0
	15,0 m	6ES7194-2MN15-0AA0
Bus cable for ET-Connection M8, pre-assembled at both ends with 2 x M8 connectors, angled, 4-pin, shield	0,3 m	6ES7194-2LH03-0AB0
	1,0 m	6ES7194-2LH10-0AB0
	2,0 m	6ES7194-2LH20-0AB0
	5,0 m	6ES7194-2LH50-0AB0
	10,0 m	6ES7194-2LN10-0AB0
Bus cable for ET-Connection M8, PUR cable, pre-assembled at both ends with 2 x M8 connectors, angled, 4 core, shield	0,3 m	6ES7194-2MH03-0AB0
	1,0 m	6ES7194-2MH10-0AB0
	2,0 m	6ES7194-2MH20-0AB0
	5,0 m	6ES7194-2MH50-0AB0
	10,0 m	6ES7194-2MN10-0AB0
Bus cable for ET-Connection M8, pre-assembled at one end with M8 connector, 4 core, shield	15,0 m	6ES7194-2MN15-0AB0
	2,0 m	6ES7194-2LH20-0AC0
	5,0 m	6ES7194-2LH50-0AC0
	10,0 m	6ES7194-2LN10-0AC0
	15,0 m	6ES7194-2LN15-0AC0
Bus cable for ET-Connection M8, PUR cable, pre-assembled at one end with M8 connector, 4 core, shield	2,0 m	6ES7194-2MH20-0AC0
	5,0 m	6ES7194-2MH50-0AC0
	10,0 m	6ES7194-2MN10-0AC0
	15,0 m	6ES7194-2MN15-0AC0
Miscellaneous		
Connection cable for ET-Connection, pre-assembled with 2 x M8 socket, 4 core, shielded	0,2	6ES7194-2LH02-0AD0
Connection cable for ET-Connection, PUR cable, pre-assembled with 2 x M8 socket, 4 core, shielded	0,2	6ES7194-2MH02-0AD0
M8 cover caps		3RK1901-1PN00
Universal accessories		
other cable length as above-mentioned		on request
Stripping Tool ET-Connection		6ES7194-2KA00-0AA0
Identification labels 10x5mm, RAL9016		6ES7194-2BA00-0AA0
torque wrenches set M8/M12, variable adjustable		www.peres.de PER091

digital modules M12	Order number
DI 8x24VDC, 4xM12	6ES7141-5AF00-0BA0
DI 16x24VDC, 8xM12	6ES7141-5AH00-0BA0
DQ 8x24VDC/2A, 8xM12	6ES7142-5AF00-0BA0
DIQ 4+DQ 4x24VDC/0,5A, 4xM12	6ES7143-5AF00-0BA0
DIQ 16x24VDC/0,5A, 8xM12	6ES7143-5AH00-0BA0



Interfaces	Order number	
X10 to X13 or X17 (M8 socket, 3 pin)		
non-assembled connectors		
M12 connector, 5 pin, max. 0,75mm ² , screw terminals	3RK1902-4BA00-5AA0	
M12 connector angulate, 5 pin, max. 0,75mm ² , screw terminals	3RK1902-4DA00-5AA0	
non-assembled cables		
Control Cable, 5-pin, sold by meter	6XV1801-2C	
pre-assembled cables		
M12 connection cable (PUR-sheat), pre-assembled at both ends with socket and plug connector, 3x0,34mm ²	1,5 m	3RK1902-4PB15-3AA0
	5 m	6GT2891-4MH50
	10 m	6GT2891-4MN50
M12 connection cable (PUR-sheat), pre-assembled at one end with plug connector, angled (one end plug connector, one end open cable), 5x0,34mm ²	1,5 m	3RK1902-4HB15-5AA0
	5,0 m	3RK1902-4HB50-5AA0
	10,0 m	3RK1902-4HC01-5AA0
M12 connection cable (PUR-sheat), pre-assembled at both ends with socket and plug, 5x0,25mm ²	0,5 m	6XV1801-2CE50
	1,0 m	6XV1801-2CH10
	1,5 m	6XV1801-2CH15
	2,0 m	6XV1801-2CH20
	3,0 m	6XV1801-2CH30
	5,0 m	6XV1801-2CH50
	10,0 m	6XV1801-2CN10
15,0 m	6XV1801-2CN15	
Miscellaneous		
M12 cover caps	3RX9802-0AA00	
M12 cover caps	3RK1901-1KA00	
Y cable for double connection of I/Os	6ES7194-6KA00-0XA0	

X80 DC 24V IN (M8 pin, 4 pin)		
non-assembled connectors		
M8 power connector, socket insert, 4 pin		6ES7194-2AC00-0AA0
pre-assembled cables		
Power cable M8, pre-assembled at both ends with M8 plug and M8 socket, 4 core	0,19 m	6ES7194-2LH02-1AA0
	0,3 m	6ES7194-2LH03-1AA0
	1,0 m	6ES7194-2LH10-1AA0
	2,0 m	6ES7194-2LH20-1AA0
	5,0 m	6ES7194-2LH50-1AA0
	10,0 m	6ES7194-2LN10-1AA0
	15,0 m	6ES7194-2LN15-1AA0
Power cable M8, PUR cable, pre-assembled at both ends with M8 plug and M8 socket, 4 core	0,19 m	6ES7194-2MH02-1AA0
	0,3 m	6ES7194-2MH03-1AA0
	1,0 m	6ES7194-2MH10-1AA0
	2,0 m	6ES7194-2MH20-1AA0
	5,0 m	6ES7194-2MH50-1AA0
	10,0 m	6ES7194-2MN10-1AA0
	15,0 m	6ES7194-2MN15-1AA0
Power cable M8, pre-assembled at both ends with M8 plug (angled) and M8 socket (angled), 4 core	0,3 m	6ES7194-2LH03-1AB0
	1,0 m	6ES7194-2LH10-1AB0
	2,0 m	6ES7194-2LH20-1AB0
	5,0 m	6ES7194-2LH50-1AB0
	10,0 m	6ES7194-2LN10-1AB0
	15,0 m	6ES7194-2LN15-1AB0
Power cable M8, PUR cable, pre-assembled at both ends with M8 plug (angled) and M8 socket (angled), 4 core	0,3 m	6ES7194-2MH03-1AB0
	1,0 m	6ES7194-2MH10-1AB0
	2,0 m	6ES7194-2MH20-1AB0
	5,0 m	6ES7194-2MH50-1AB0
	10,0 m	6ES7194-2MN10-1AB0
	15,0 m	6ES7194-2MN15-1AB0
Power cable M8, pre-assembled at one end with M8 socket, 4 core	2,0 m	6ES7194-2LH20-1AC0
	5,0 m	6ES7194-2LH50-1AC0
	10,0 m	6ES7194-2LN10-1AC0
	15,0 m	6ES7194-2LN10-1AC0
Power cable M8, PUR cable, pre-assembled at one end with M8 socket, 4 core	2,0 m	6ES7194-2MH20-1AC0
	5,0 m	6ES7194-2MH50-1AC0
	10,0 m	6ES7194-2MN10-1AC0
	15,0 m	6ES7194-2MN10-1AC0
X81 DC 24V OUT (M8 socket, 4 pin)		
non-assembled connectors		
M8 Power connector, pin insert, 4 pin		6ES7194-2AA00-0AA0
pre-assembled cables		
Power cable M8, pre-assembled at both ends with M8 plug and M8 socket, 4 core	0,19 m	6ES7194-2LH02-1AA0
	0,3 m	6ES7194-2LH03-1AA0
	1,0 m	6ES7194-2LH10-1AA0
	2,0 m	6ES7194-2LH20-1AA0
	5,0 m	6ES7194-2LH50-1AA0
	10,0 m	6ES7194-2LN10-1AA0
	15,0 m	6ES7194-2LN15-1AA0

Power cable M8, PUR cable, pre-assembled at both ends with M8 plug and M8 socket, 4 core	0,19 m	6ES7194-2MH02-1AA0
	0,3 m	6ES7194-2MH03-1AA0
	1,0 m	6ES7194-2MH10-1AA0
	2,0 m	6ES7194-2MH20-1AA0
	5,0 m	6ES7194-2MH50-1AA0
	10,0 m	6ES7194-2MN10-1AA0
	15,0 m	6ES7194-2MN15-1AA0
Power cable M8, pre-assembled at both ends with M8 plug (angled) and M8 socket (angled), 4 core	0,3 m	6ES7194-2LH03-1AB0
	1,0 m	6ES7194-2LH10-1AB0
	2,0 m	6ES7194-2LH20-1AB0
	5,0 m	6ES7194-2LH50-1AB0
	10,0 m	6ES7194-2LN10-1AB0
	15,0 m	6ES7194-2LN15-1AB0
Power cable M8, PUR cable, pre-assembled at both ends with M8 plug (angled) and M8 socket (angled), 4 core	0,3 m	6ES7194-2MH03-1AB0
	1,0 m	6ES7194-2MH10-1AB0
	2,0 m	6ES7194-2MH20-1AB0
	5,0 m	6ES7194-2MH50-1AB0
	10,0 m	6ES7194-2MN10-1AB0
	15,0 m	6ES7194-2MN15-1AB0
Power cable M8, pre-assembled at one end with M8 socket, 4 core	2,0 m	6ES7194-2LH20-1AC0
	5,0 m	6ES7194-2LH50-1AC0
	10,0 m	6ES7194-2LN10-1AC0
	15,0 m	6ES7194-2LN10-1AC0
Power cable M8, PUR cable, pre-assembled at one end with M8 socket, 4 core	2,0 m	6ES7194-2MH20-1AC0
	5,0 m	6ES7194-2MH50-1AC0
	10,0 m	6ES7194-2MN10-1AC0
	15,0 m	6ES7194-2MN10-1AC0
Miscellaneous		
M8 cover caps		3RK1901-1PN00
X30 ET-CON IN (M8 socket, 4 pin)		
non-assembled connectors		
M8 connector for ET-Connection, 4-pin, shield		6ES7194-2AB00-0AA0
pre-assembled cables		
Bus cable for ET-Connection M8, pre-assembled at both ends with 2 x M8 connectors, 4 core, shield	0,19 m	6ES7194-2LH02-0AA0
	0,3 m	6ES7194-2LH03-0AA0
	1,0 m	6ES7194-2LH10-0AA0
	2,0 m	6ES7194-2LH20-0AA0
	5,0 m	6ES7194-2LH50-0AA0
	10,0 m	6ES7194-2LN10-0AA0
	15,0 m	6ES7194-2LN15-0AA0
Bus cable for ET-Connection M8, PUR cable, pre-assembled at both ends with 2 x M8 connectors, 4 core, shield	0,19 m	6ES7194-2MH02-0AA0
	0,3 m	6ES7194-2MH03-0AA0
	1,0 m	6ES7194-2MH10-0AA0
	2,0 m	6ES7194-2MH20-0AA0
	5,0 m	6ES7194-2MH50-0AA0
	10,0 m	6ES7194-2MN10-0AA0
	15,0 m	6ES7194-2MN15-0AA0
Bus cable for ET-Connection M8, pre-assembled at both ends with 2 x M8 connectors, angled, 4 core, shield	0,3 m	6ES7194-2LH03-0AB0
	1,0 m	6ES7194-2LH10-0AB0
	2,0 m	6ES7194-2LH20-0AB0
	5,0 m	6ES7194-2LH50-0AB0
	10,0 m	6ES7194-2LN10-0AB0
	15,0 m	6ES7194-2LN15-0AB0

Bus cable for ET-Connection M8, PUR cable, pre-assembled at both ends with 2 x M8 connectors, angled, 4 core, shield	0,3 m	6ES7194-2MH03-0AB0
	1,0 m	6ES7194-2MH10-0AB0
	2,0 m	6ES7194-2MH20-0AB0
	5,0 m	6ES7194-2MH50-0AB0
	10,0 m	6ES7194-2MN10-0AB0
	15,0 m	6ES7194-2MN15-0AB0
Bus cable for ET-Connection M8, pre-assembled at one end with M8 connector, 4 core, shield	2,0 m	6ES7194-2LH20-0AC0
	5,0 m	6ES7194-2LH50-0AC0
	10,0 m	6ES7194-2LN10-0AC0
	15,0 m	6ES7194-2LN15-0AC0
Bus cable for ET-Connection M8, PUR cable, pre-assembled at one end with M8 connector, 4 core, shield	2,0 m	6ES7194-2MH20-0AC0
	5,0 m	6ES7194-2MH50-0AC0
	10,0 m	6ES7194-2MN10-0AC0
	15,0 m	6ES7194-2MN15-0AC0
Miscellaneous		
Connection cable for ET-Connection, pre-assembled with 2 x M8 socket, 4 core, shielded	0,2	6ES7194-2LH02-0AD0
Connection cable for ET-Connection, PUR cable, pre-assembled with 2 x M8 socket, 4 core, shielded	0,2	6ES7194-2MH02-0AD0
M8 cover caps		3RK1901-1PN00
X31 ET-CON OUT (M8 socket, 4 pin)		
non-assembled connectors		
M8 connector for ET-Connection, 4 pin, shield		6ES7194-2AB00-0AA0
pre-assembled cables		
Bus cable for ET-Connection M8, pre-assembled at both ends with 2 x M8connectors, 4 core, shield	0,19 m	6ES7194-2LH02-0AA0
	0,3 m	6ES7194-2LH03-0AA0
	1,0 m	6ES7194-2LH10-0AA0
	2,0 m	6ES7194-2LH20-0AA0
	5,0 m	6ES7194-2LH50-0AA0
	10,0 m	6ES7194-2LN10-0AA0
Bus cable for ET-Connection M8, PUR cable, pre-assembled at both ends with 2 x M8connectors, 4 core, shield	0,19 m	6ES7194-2MH02-0AA0
	0,3 m	6ES7194-2MH03-0AA0
	1,0 m	6ES7194-2MH10-0AA0
	2,0 m	6ES7194-2MH20-0AA0
	5,0 m	6ES7194-2MH50-0AA0
	10,0 m	6ES7194-2MN10-0AA0
Bus cable for ET-Connection M8, pre-assembled at both ends with 2 x M8 connectors, angled, 4-pin, shield	0,3 m	6ES7194-2LH03-0AB0
	1,0 m	6ES7194-2LH10-0AB0
	2,0 m	6ES7194-2LH20-0AB0
	5,0 m	6ES7194-2LH50-0AB0
	10,0 m	6ES7194-2LN10-0AB0
	15,0 m	6ES7194-2LN15-0AB0
Bus cable for ET-Connection M8, PUR cable, pre-assembled at both ends with 2 x M8 connectors, angled, 4-pin, shield	0,3 m	6ES7194-2MH03-0AB0
	1,0 m	6ES7194-2MH10-0AB0
	2,0 m	6ES7194-2MH20-0AB0
	5,0 m	6ES7194-2MH50-0AB0
	10,0 m	6ES7194-2MN10-0AB0
	15,0 m	6ES7194-2MN15-0AB0
Bus cable for ET-Connection M8, pre-assembled at one end with M8 connector, 4 core, shield	2,0 m	6ES7194-2LH20-0AC0
	5,0 m	6ES7194-2LH50-0AC0
	10,0 m	6ES7194-2LN10-0AC0
	15,0 m	6ES7194-2LN15-0AC0

Bus cable for ET-Connection M8, PUR cable, pre-assembled at one end with M8 connector, 4 core, shield	2,0 m	6ES7194-2MH20-0AC0
	5,0 m	6ES7194-2MH50-0AC0
	10,0 m	6ES7194-2MN10-0AC0
	15,0 m	6ES7194-2MN15-0AC0
Miscellaneous		
Connection cable for ET-Connection, pre-assembled with 2 x M8 socket, 4 core, shielded	0,2	6ES7194-2LH02-0AD0
Connection cable for ET-Connection, PUR cable, pre-assembled with 2 x M8 socket, 4 core, shielded	0,2	6ES7194-2MH02-0AD0
M8 cover caps		3RK1901-1PN00
Universal accessories		
other cable length as above-mentioned		on request
Stripping Tool ET-Connection		6ES7194-2KA00-0AA0
Identification labels 10x5mm, RAL9016		6ES7194-2BA00-0AA0
torque wrenches set M8/M12, variable adjustable		www.peres.de PER091